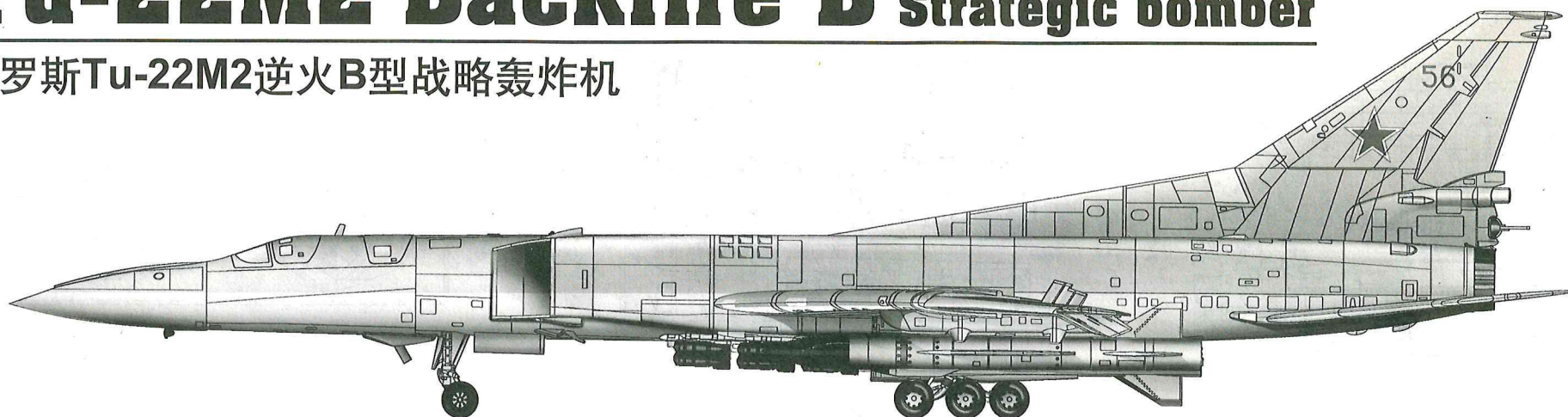


Tu-22M2 Backfire B Strategic bomber

俄罗斯Tu-22M2逆火B型战略轰炸机



READ BEFORE ASSEMBLY:

- Study and understand these instructions thoroughly before beginning assembly
- When needed, remove photo-etch parts carefully using a modeling knife or photo etch sprue cutter, being careful not to damage or lose small parts.
- Take extra care in handling photo etch parts in order to avoid injury
- Apply instant cement sparingly to photo etch parts where instructed

- Tools recommended(not included in kit):Plastic and instant cements,sprue cutters,long nose pliers,modeling knife, small files, tweezers, pin vise & scissors. Soft cloth and sandpaper will also assist in construction
- Glue and paint are not included in the kit. Use plastic cement and hobby paints only. Color guide for purchasing paint is included in the kit.

装配之前仔细阅读

- 小心用模型锉刀锉平所有零件表面的注射浇口。
- 小心用刀片切下蚀刻片零件，不要遗失小零件。
- 用强力快干胶水粘合蚀刻片零件和金属轴。过量的快干胶水使用可能导致可动零件会粘住，小心涂胶。
- 取蚀刻片时应特别注意安全，防止利边划伤手指。
- 某些零件表面需贴水贴纸，请选择在装配的同时进行。
- 推荐模型工具(自备)：胶水，水口剪刀，长咀钳，刀片，锉刀，镊子钳，钻，剪刀，瞬间快干胶。
- 软布同砂纸同时也应该是必备工具。
- 请使用塑料胶水和油漆，模型内不含。

水贴纸的使用:

1. 从水贴纸上剪下印花;
2. 将印花放入温水中浸10秒, 然后放在干净布上。
3. 拿着印花纸板将印花移到模型上;
4. 手指蘸水将印花移到适当的位置;
5. 用软布轻压印花直至水干, 气泡消失。

DECAL APPLICATION:

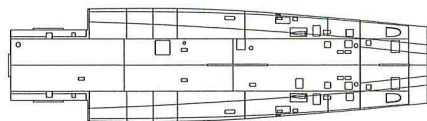
1. Cut decals from sheet as needed
2. Dip the decal in warm water for about 10 seconds and then place on soft clean cloth.
3. Hold the decal backing sheet edge and gently slide the decal onto the model in its proper position.

4. While still wet,decal can be adjusted for better fit on model by dampening it gently with your finger.
5. When placed in the proper position,gently press decal down with a soft cloth until excess water and air bubbles are gone.
6. Allow decal to dry completely before handling model

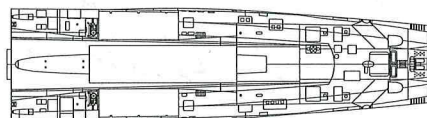


部品图 Parts

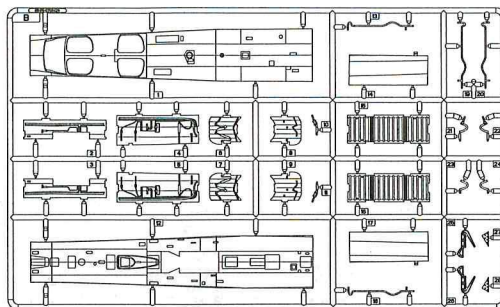
《上机身》
Upper fuselage



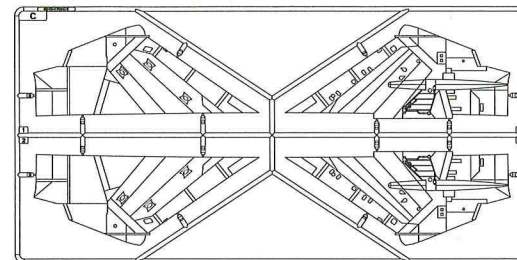
《下机身》
Lower fuselage



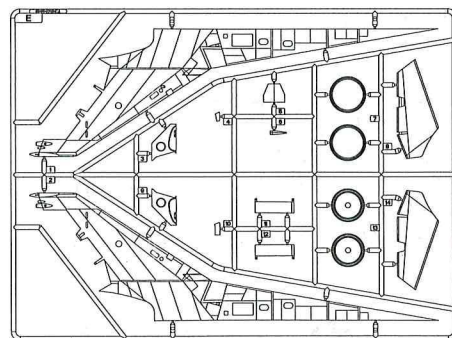
B



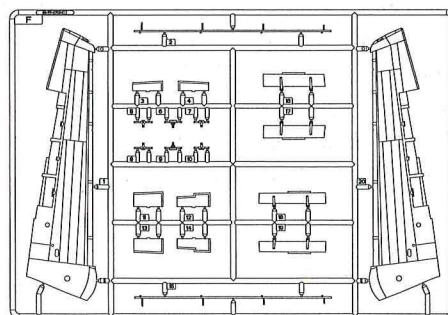
C



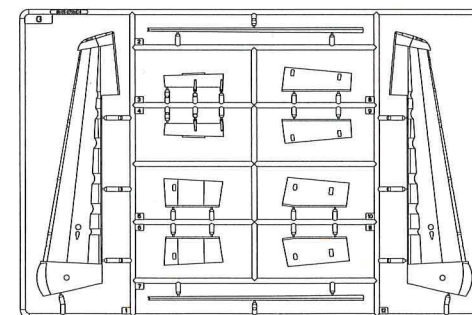
E



F

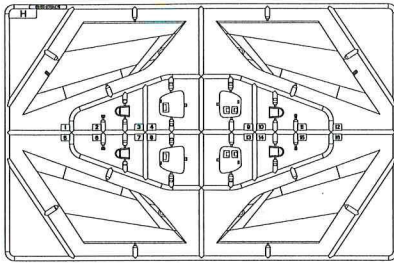


G

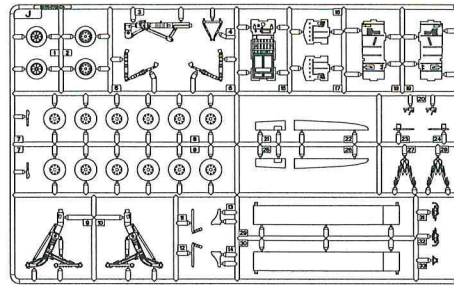


部品图 Parts

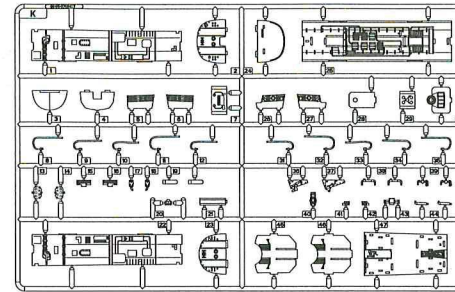
H



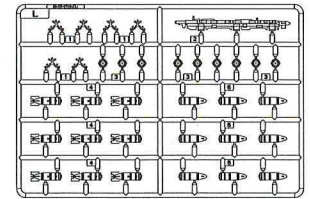
J



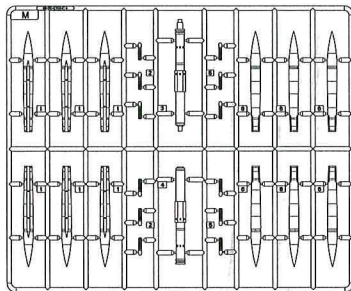
K



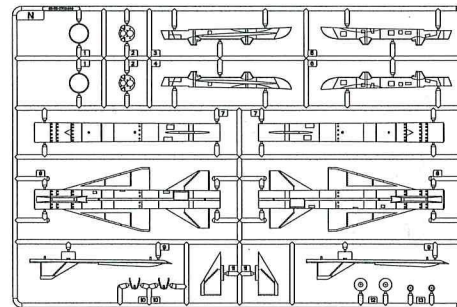
LX2



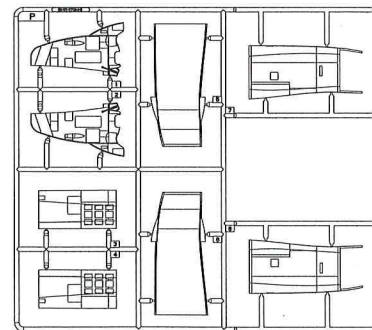
M



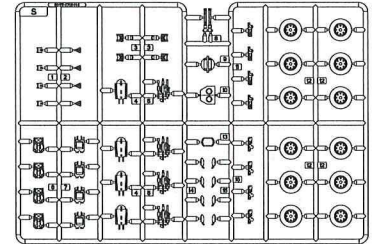
N



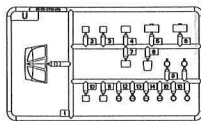
P



S



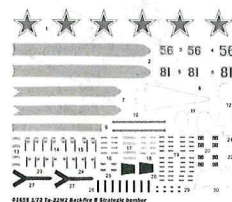
U



<< 机首 >>
Nose cone



<< 水贴 >>
Decal

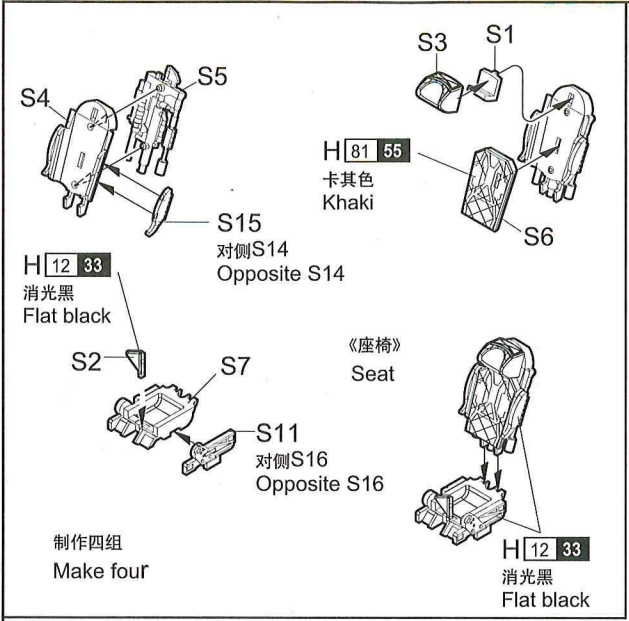


<< 水贴 >> B
Decal

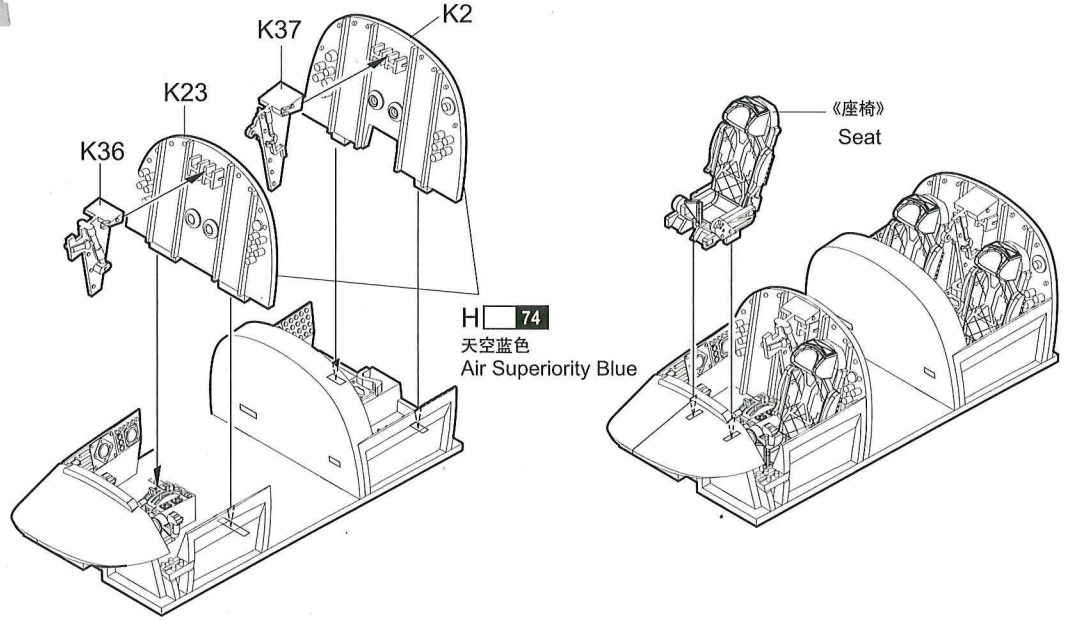
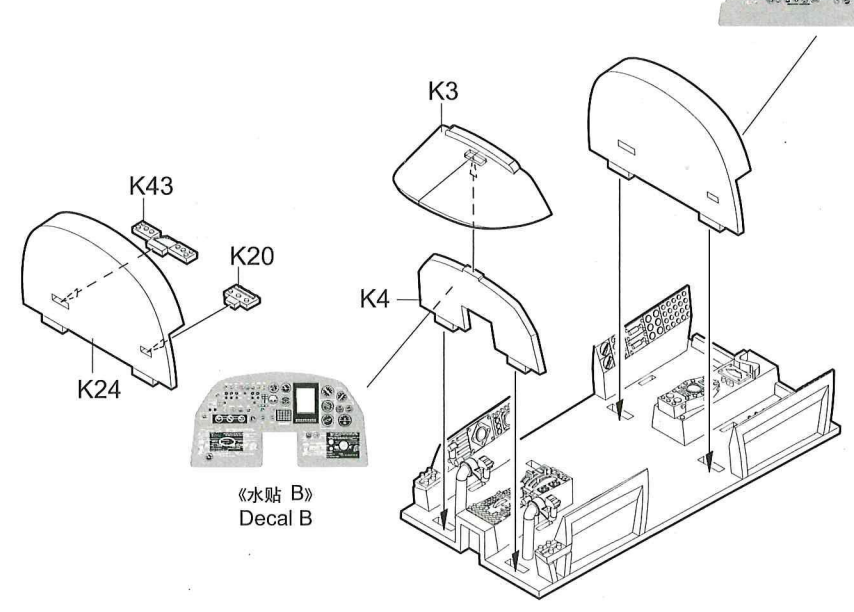
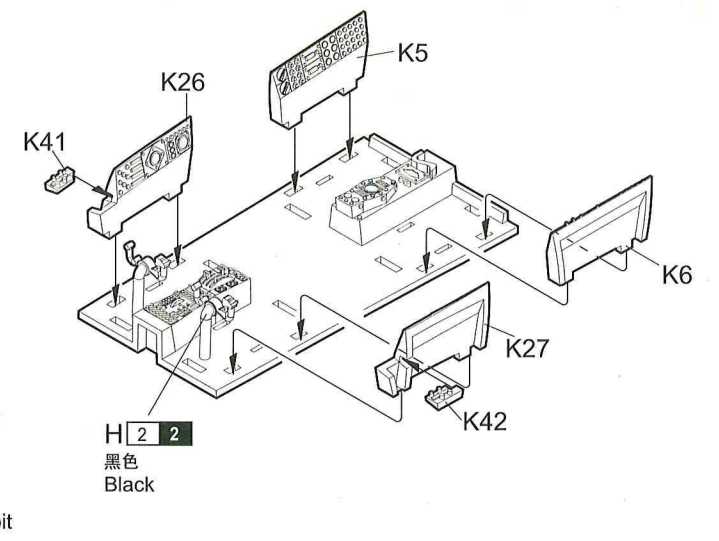
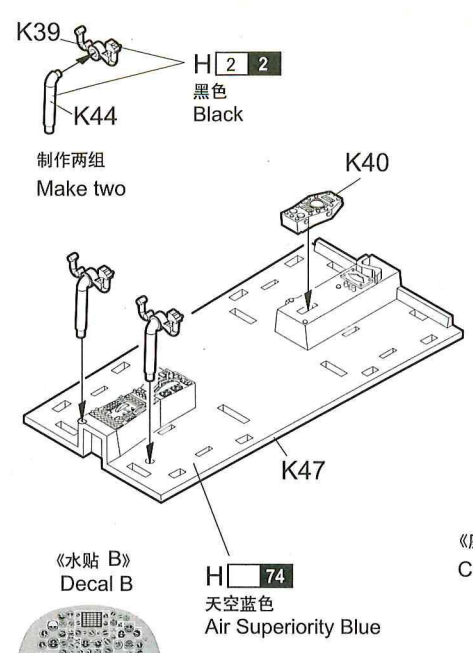


01655/01656 1/72 Tu-22M
Backfire B Strategic bomber

B

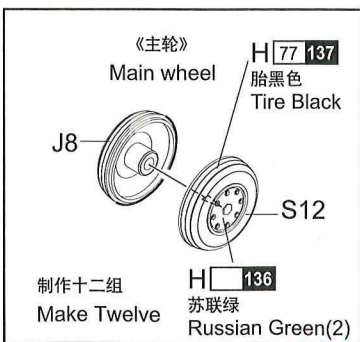
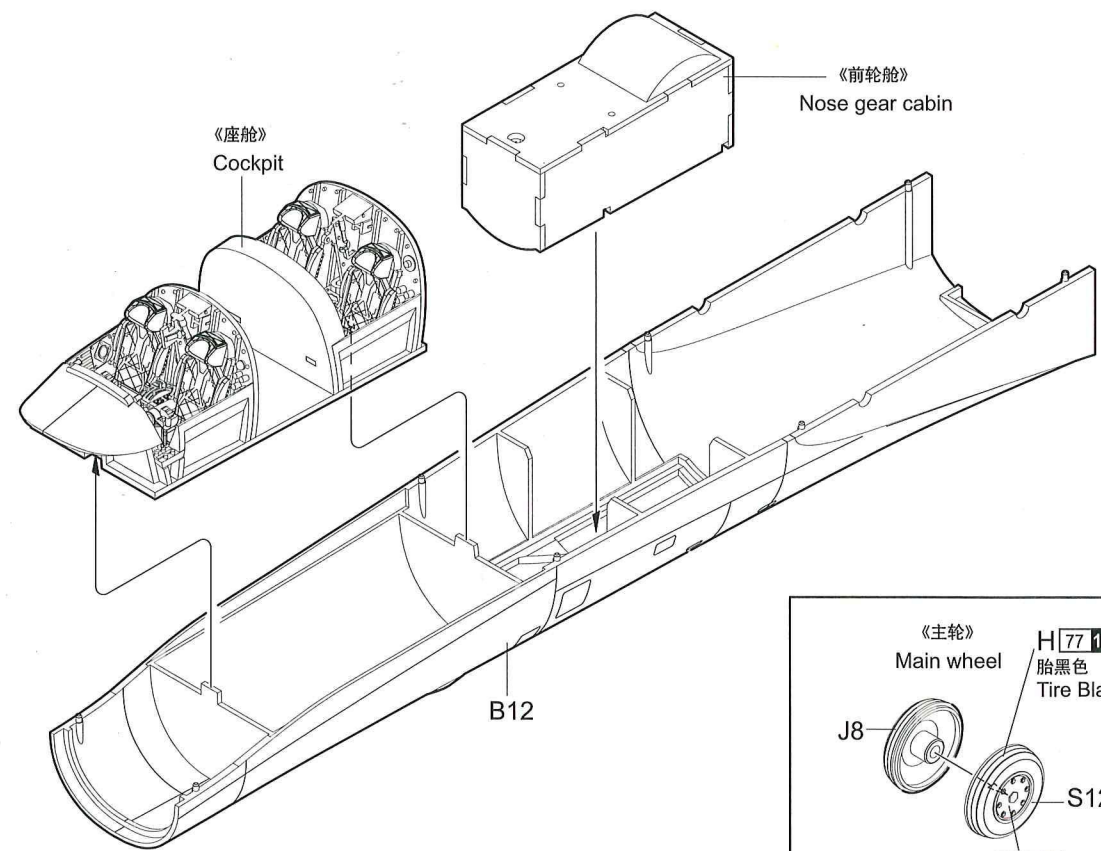
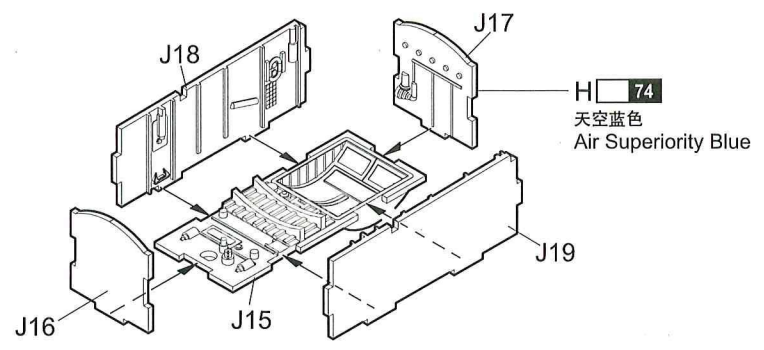


1

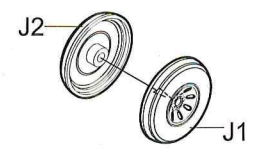


2

《前轮舱》
Nose gear cabin

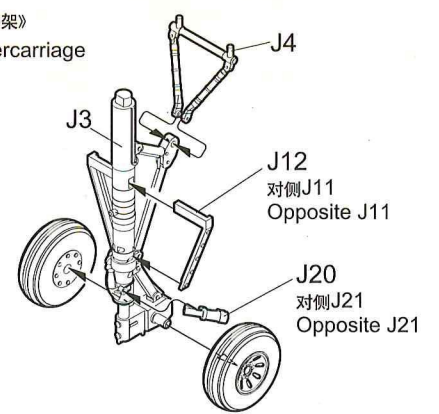


《前轮》
Nose wheel

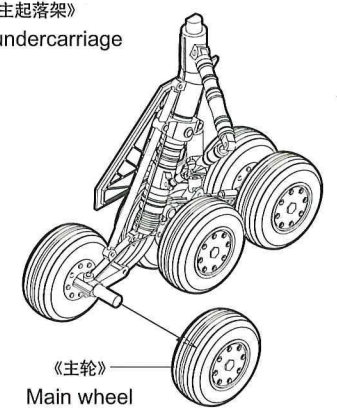
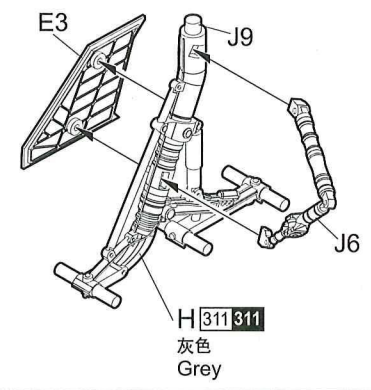


制作两组
Make Two

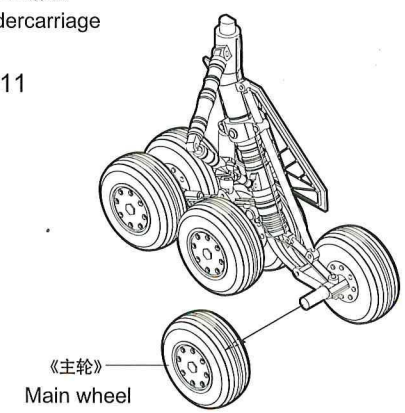
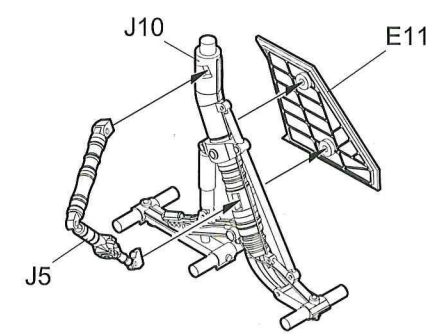
《前起落架》
Nose undercarriage



《右侧主起落架》
Right undercarriage

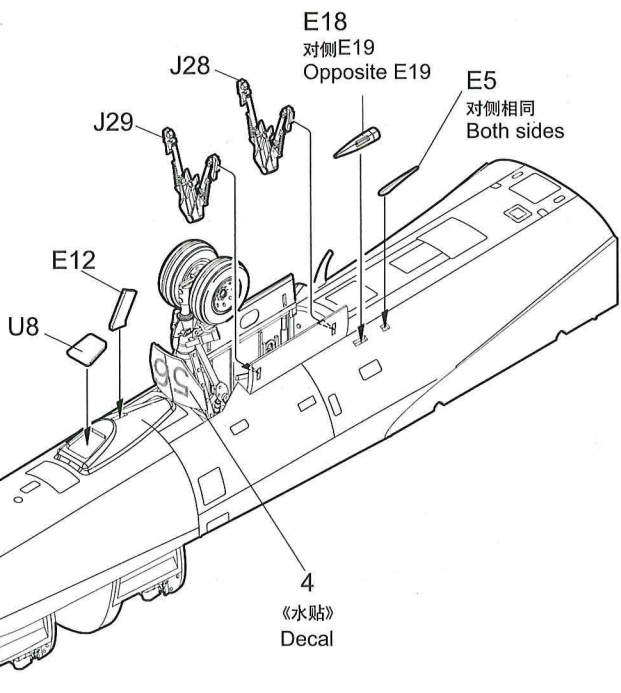
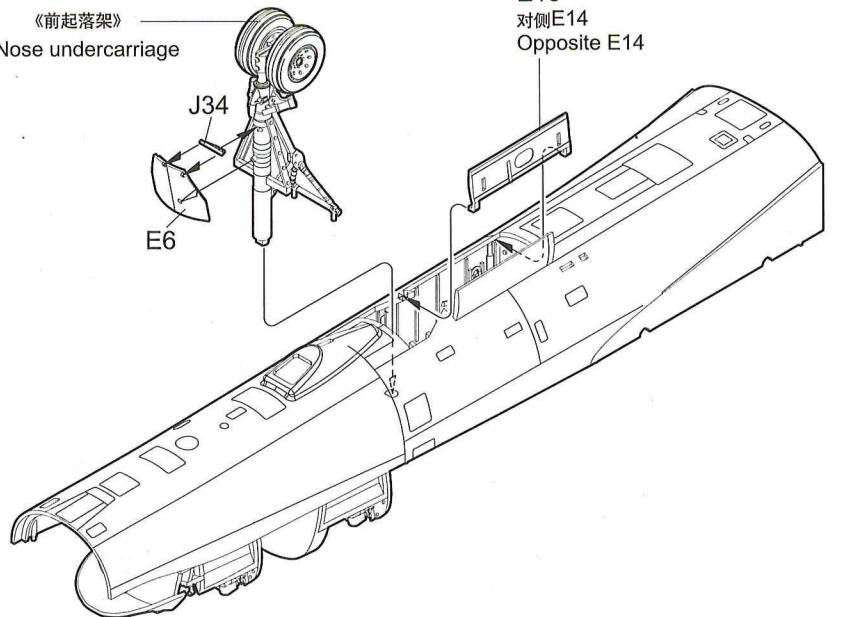


《左侧主起落架》
Left undercarriage

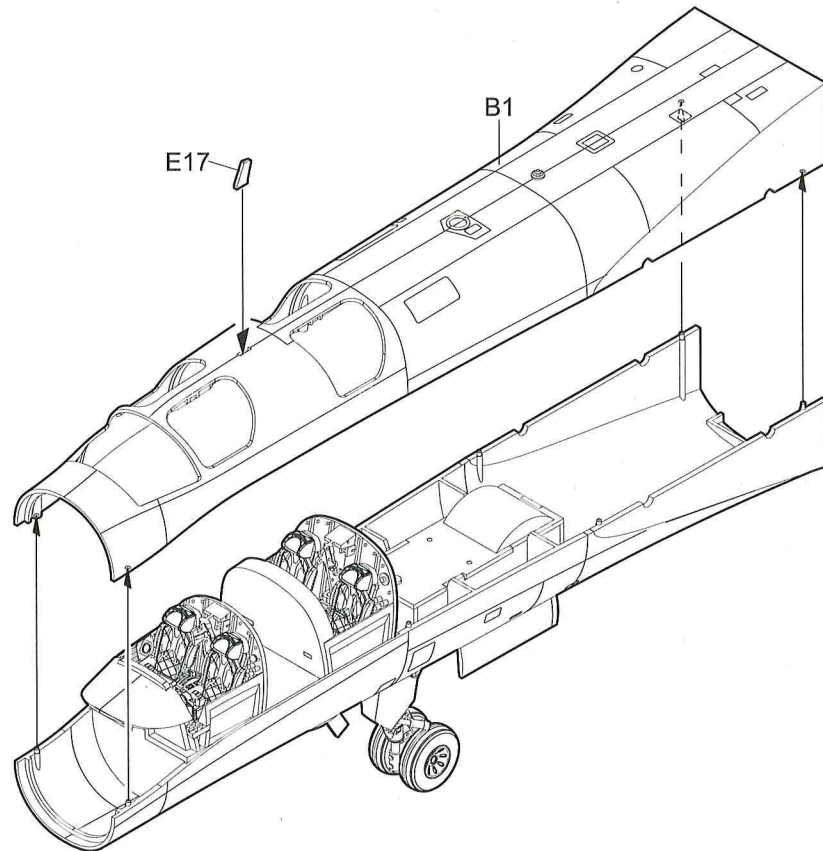


3

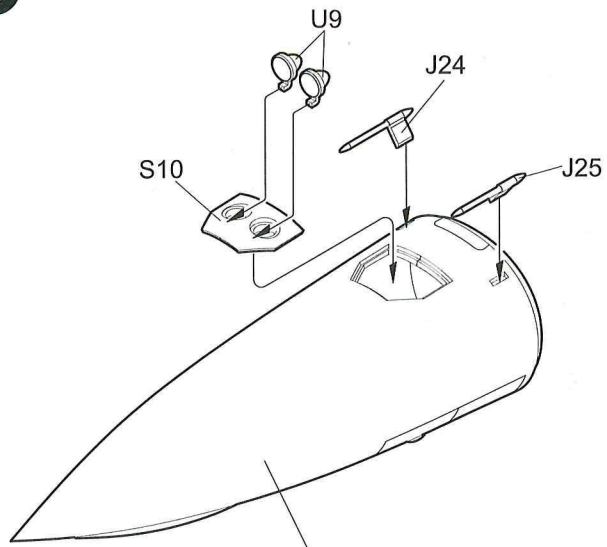
《前起落架》
Nose undercarriage



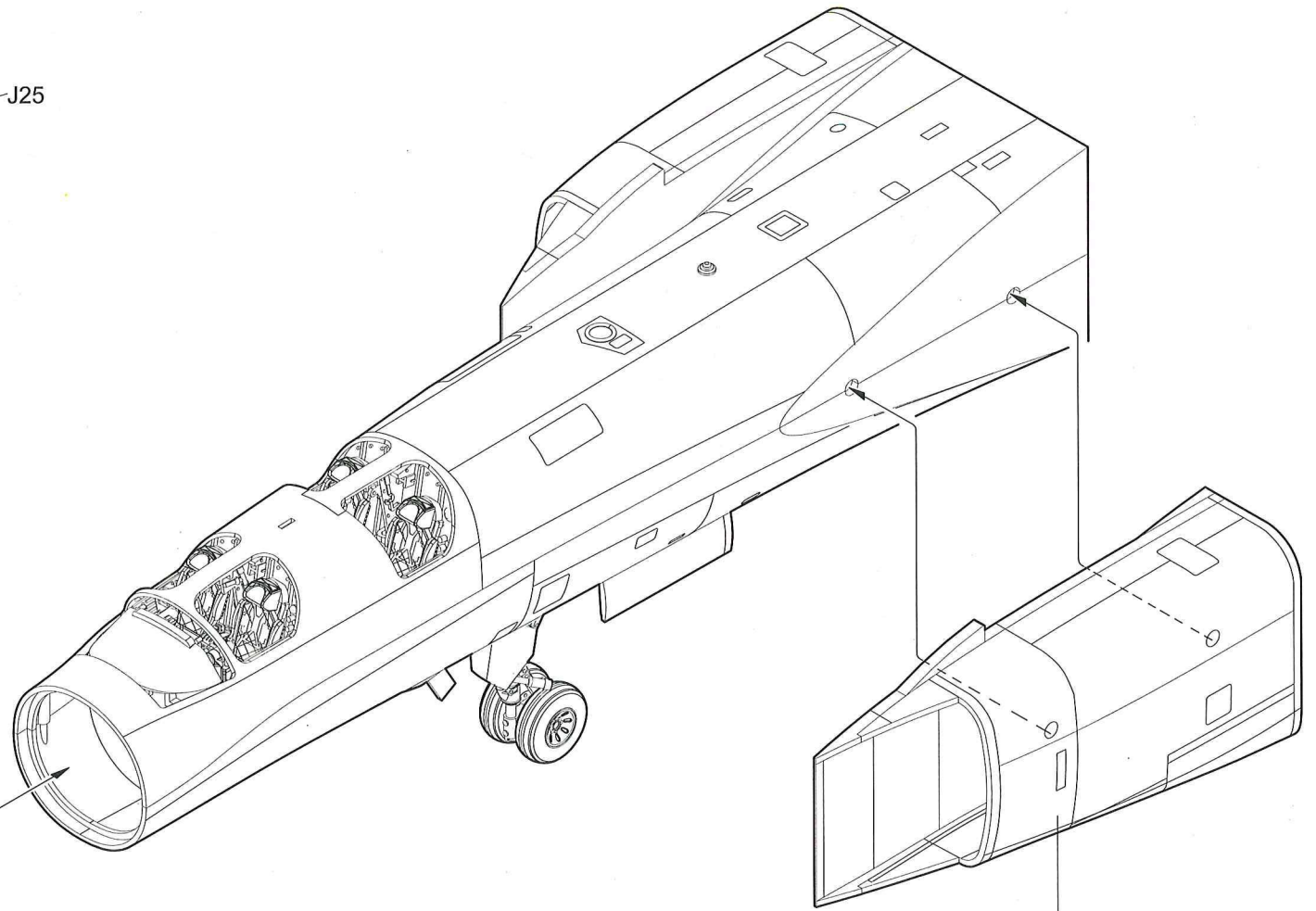
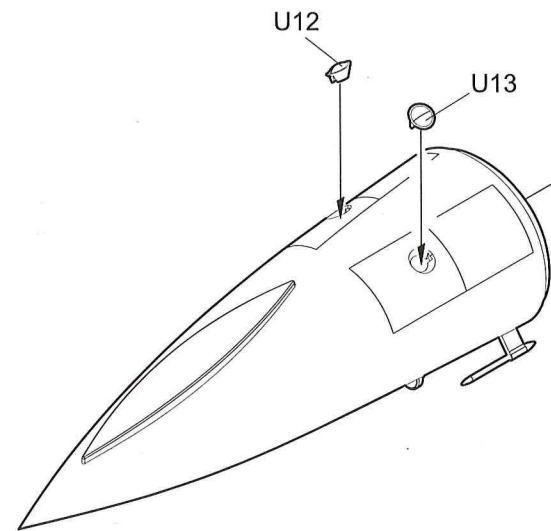
4



5



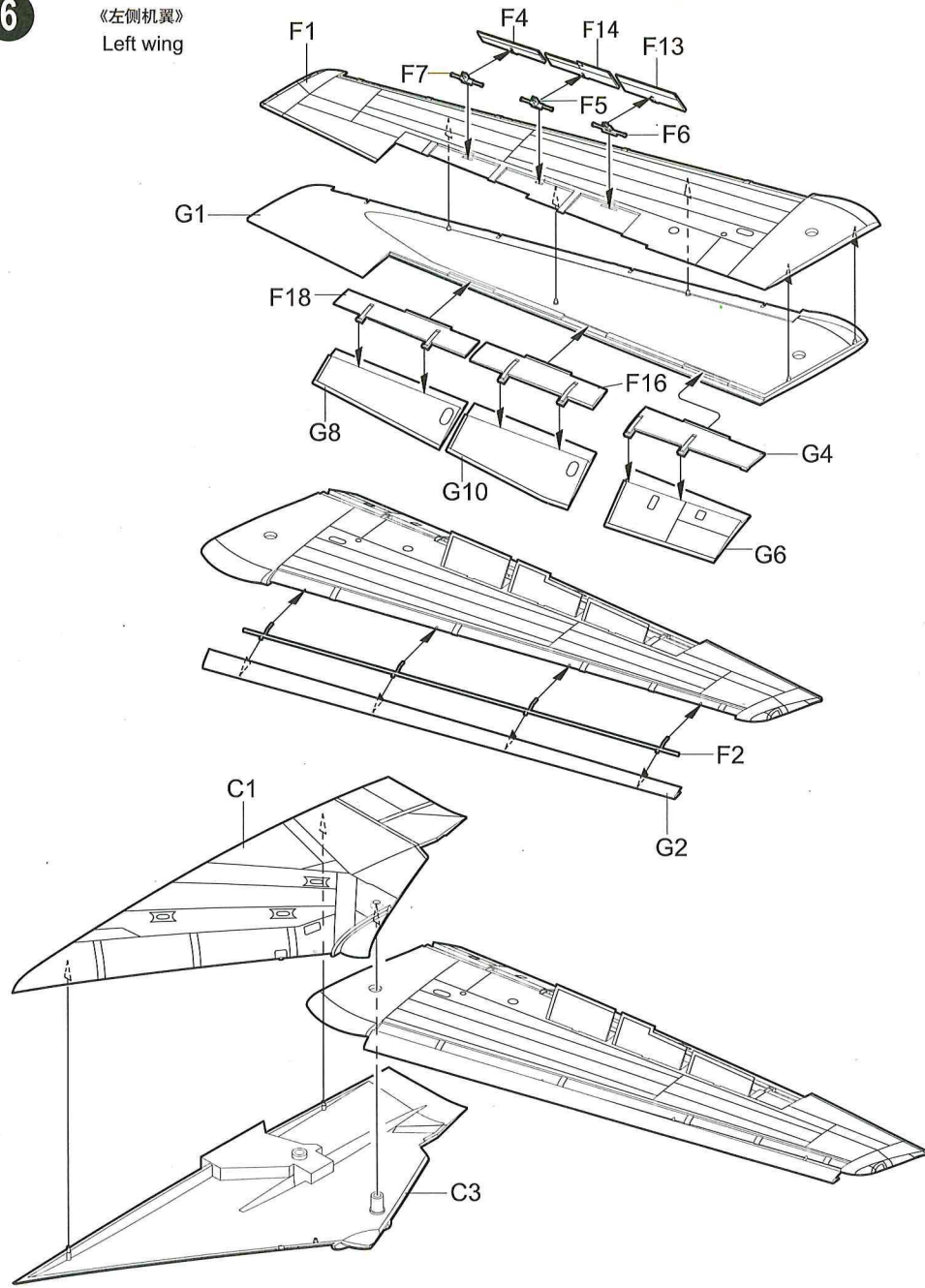
《机首》
Nose cone



P5+P8
对侧P6+P7
Opposite P6+P7

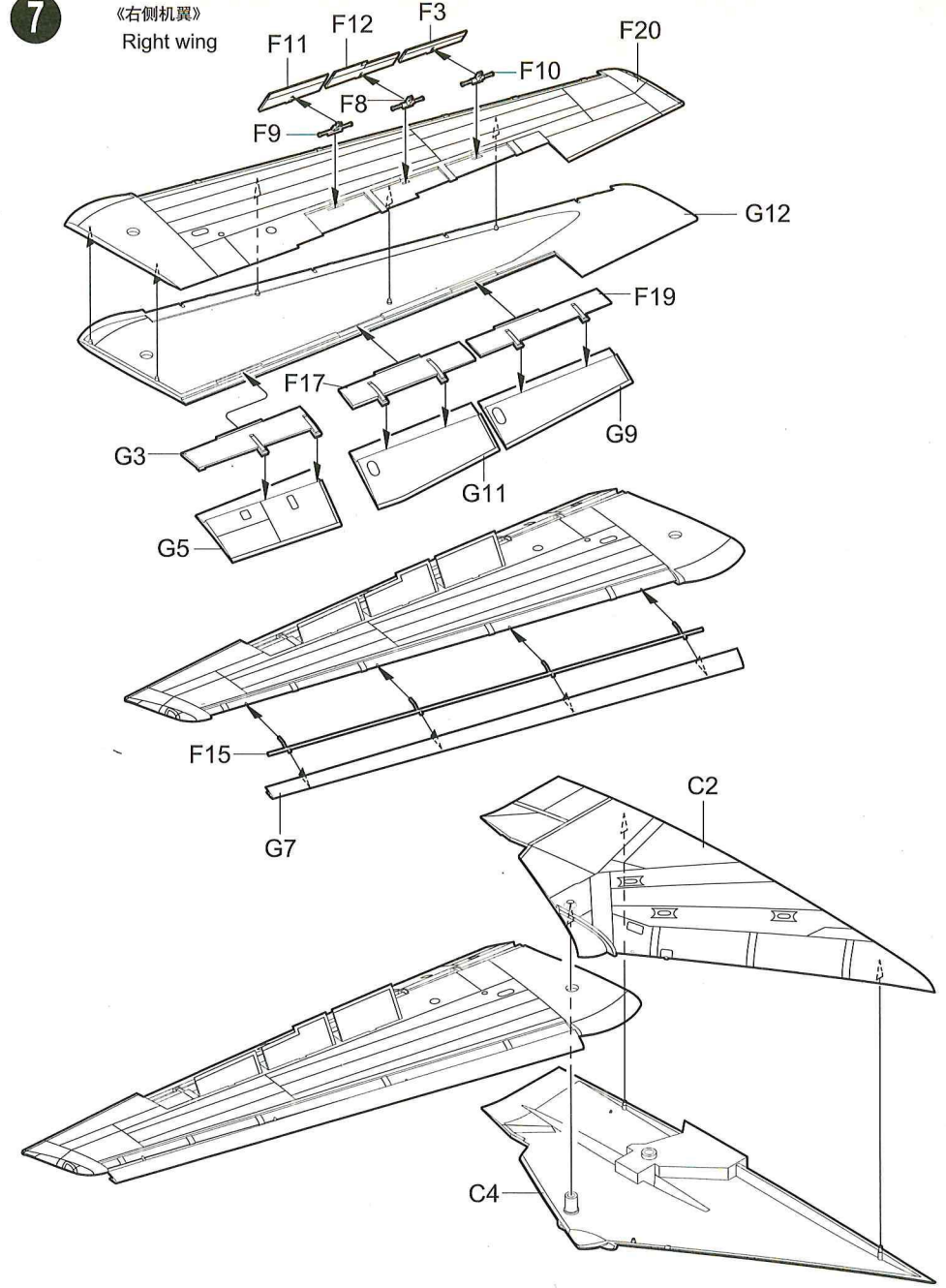
6

《左侧机翼》
Left wing



7

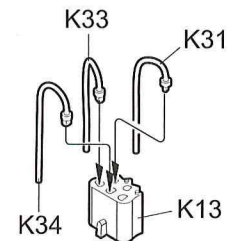
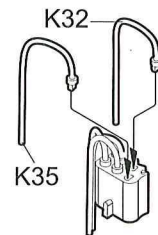
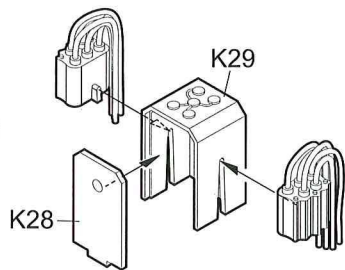
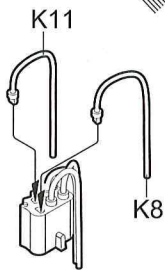
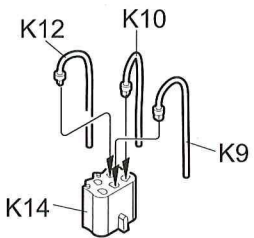
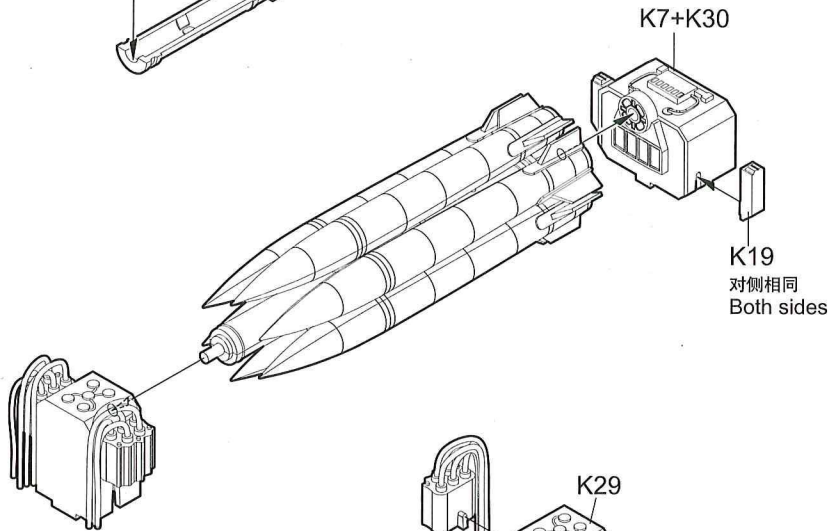
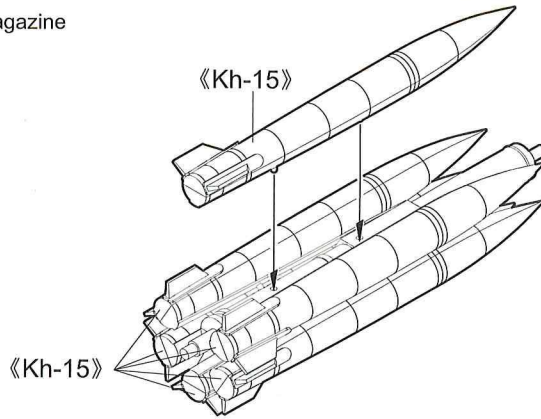
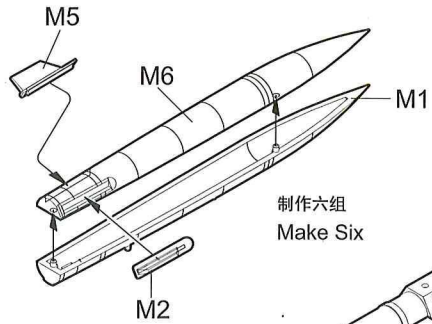
《右侧机翼》
Right wing



8

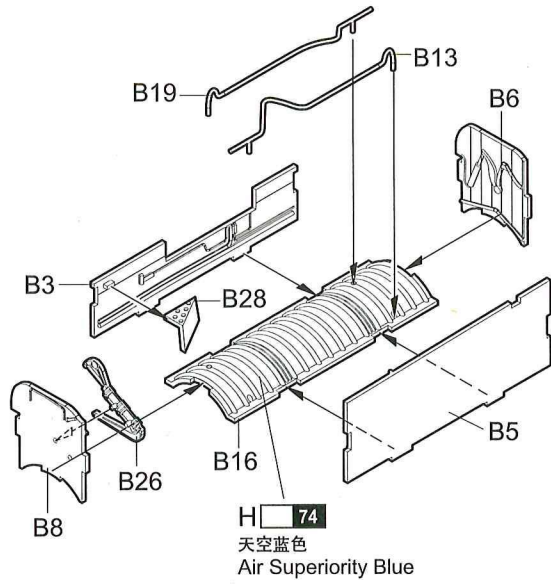
《Kh-15》

《弹仓》
Missile magazine

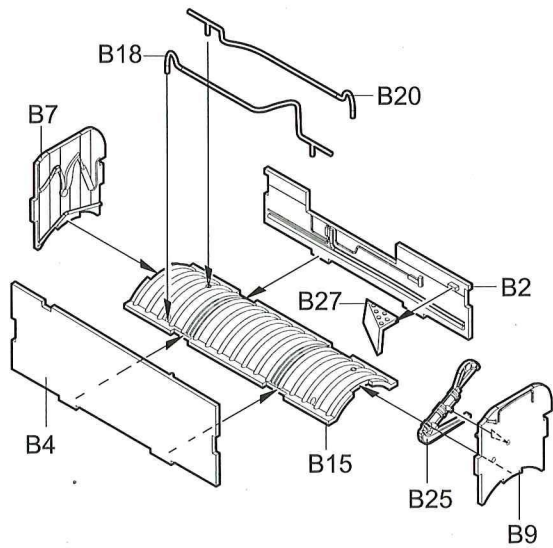


H 70 60
德国灰
RLM02 Gray

《左侧主轮舱》
Left main gear cabin

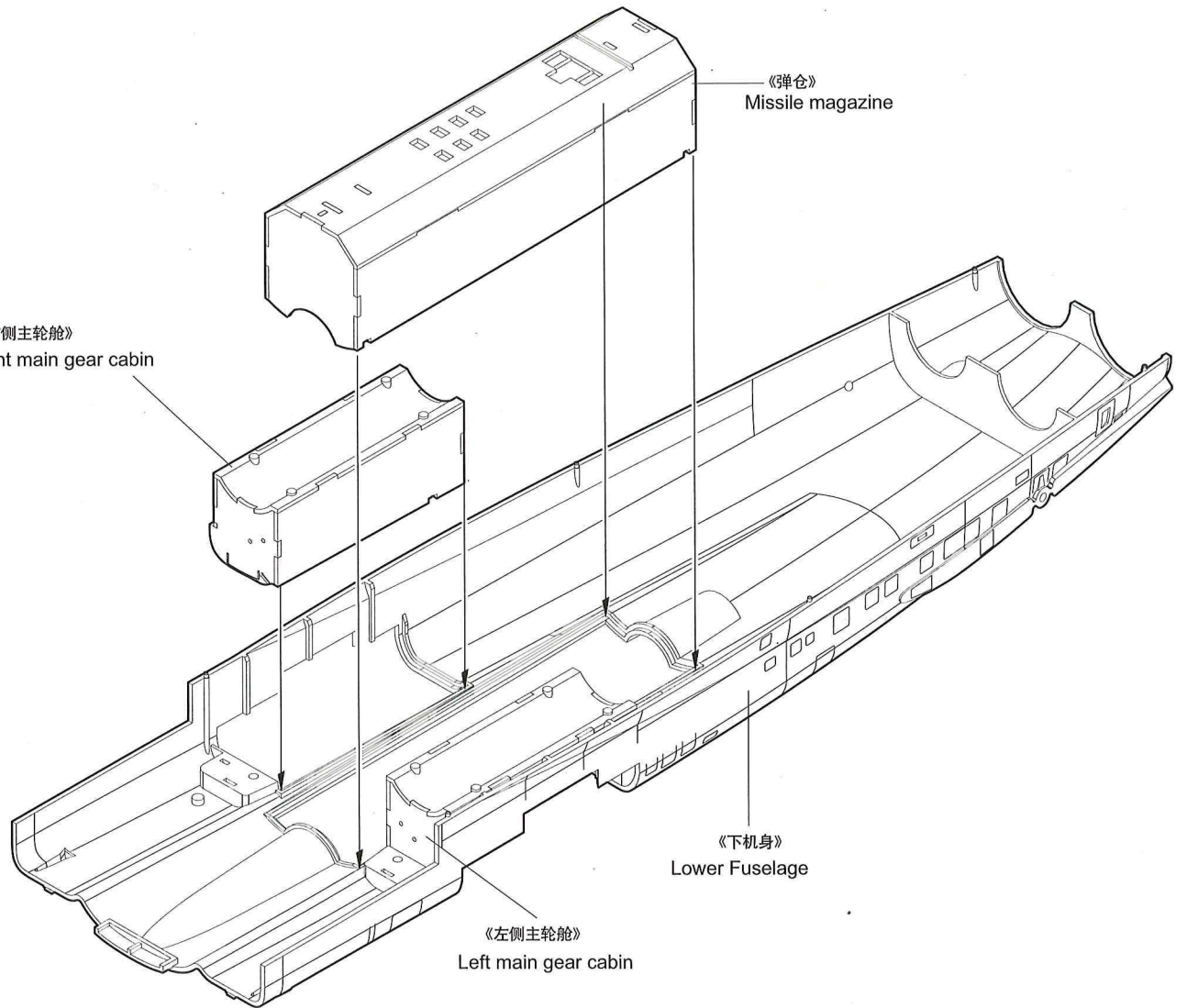


《右侧主轮舱》
Right main gear cabin

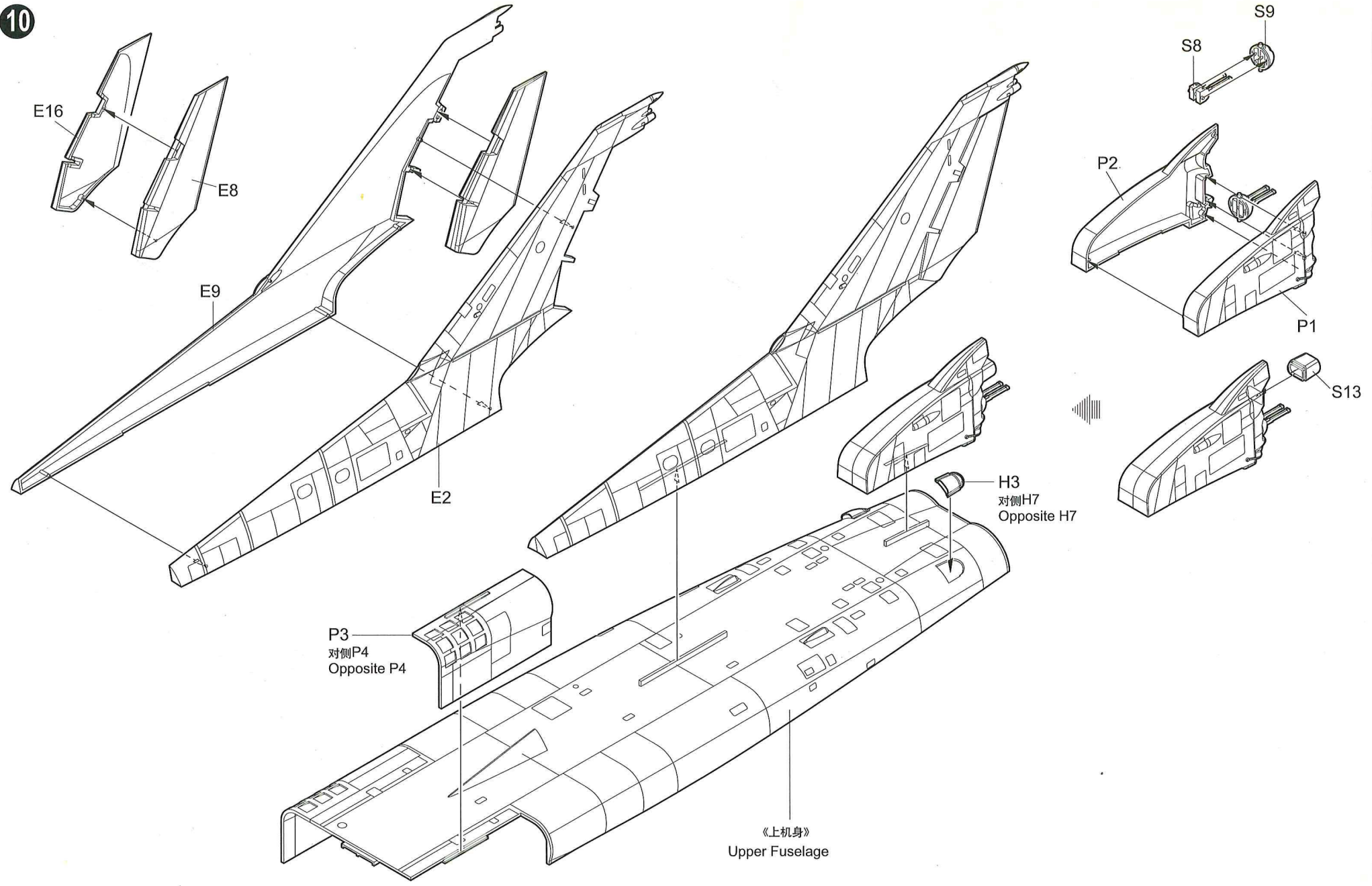


9

《右侧主轮舱》
Right main gear cabin

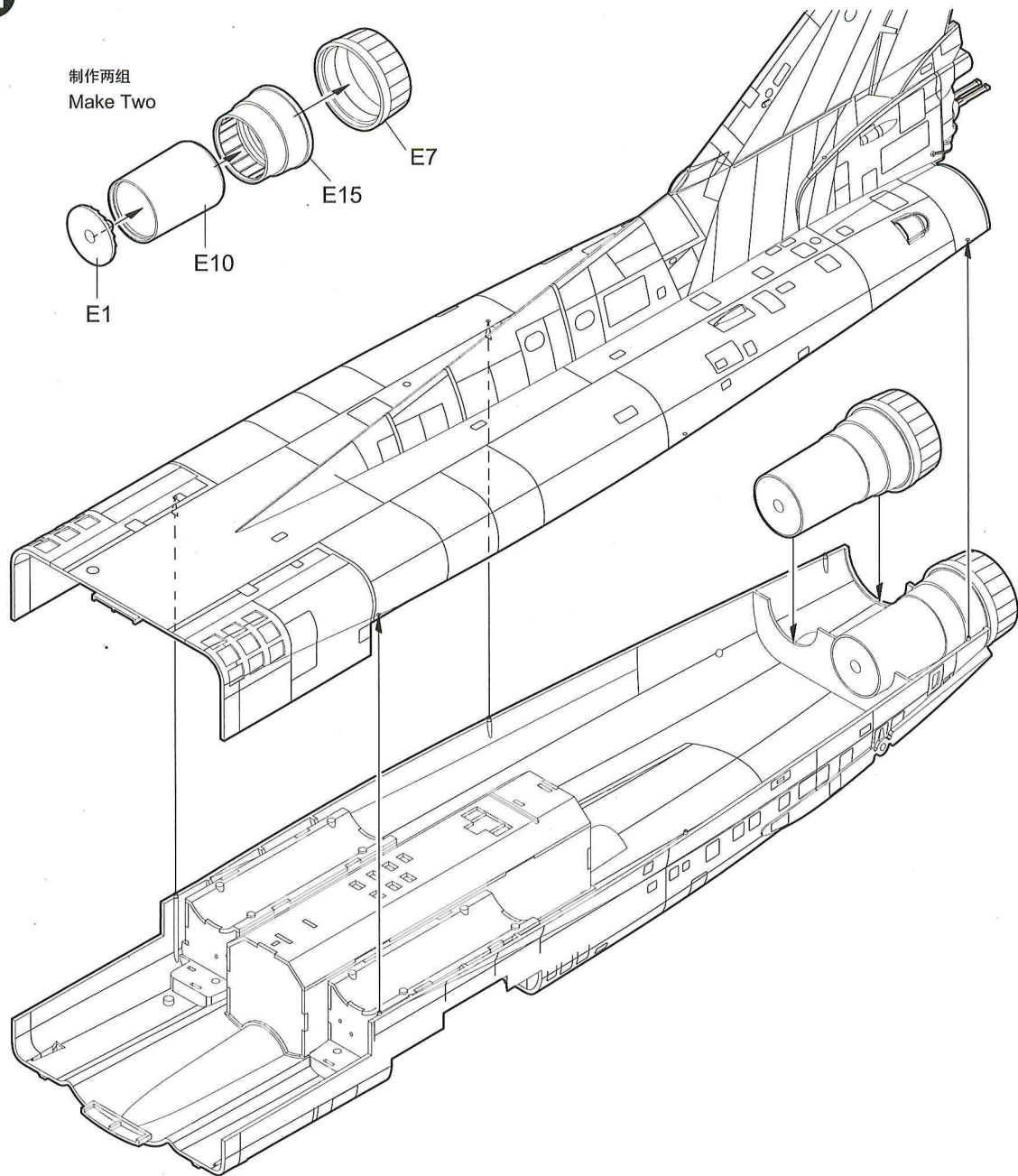


10

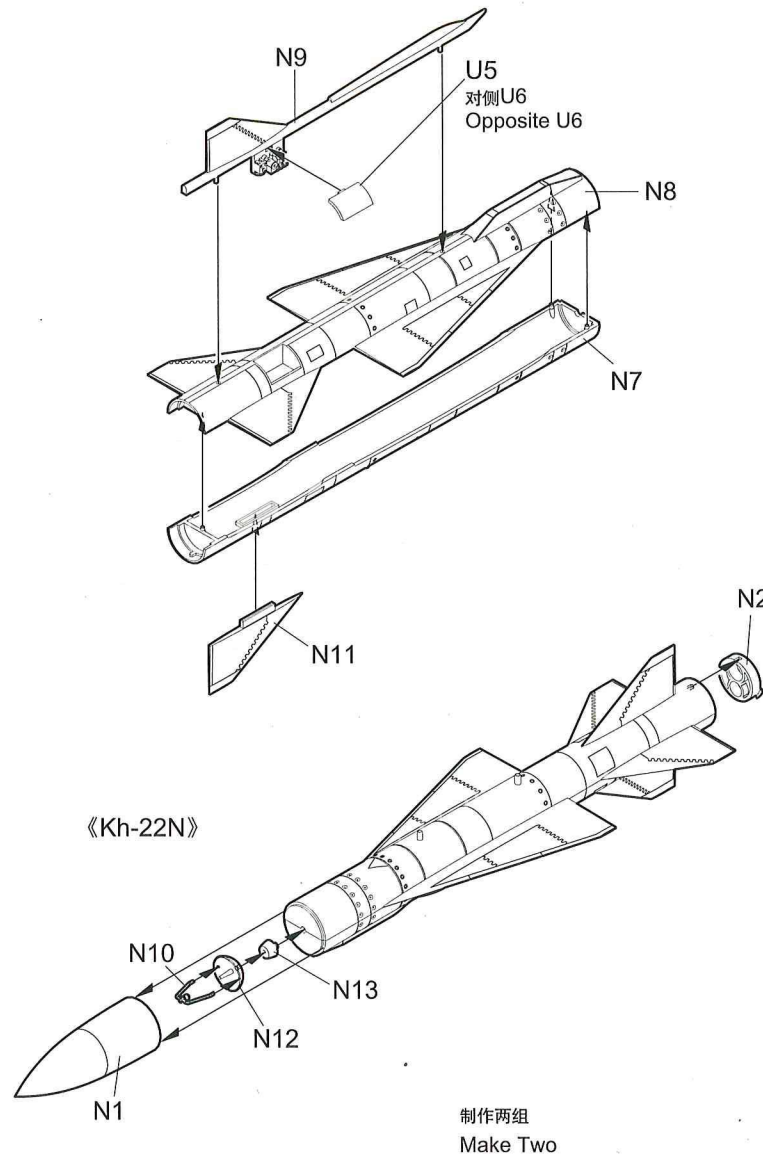


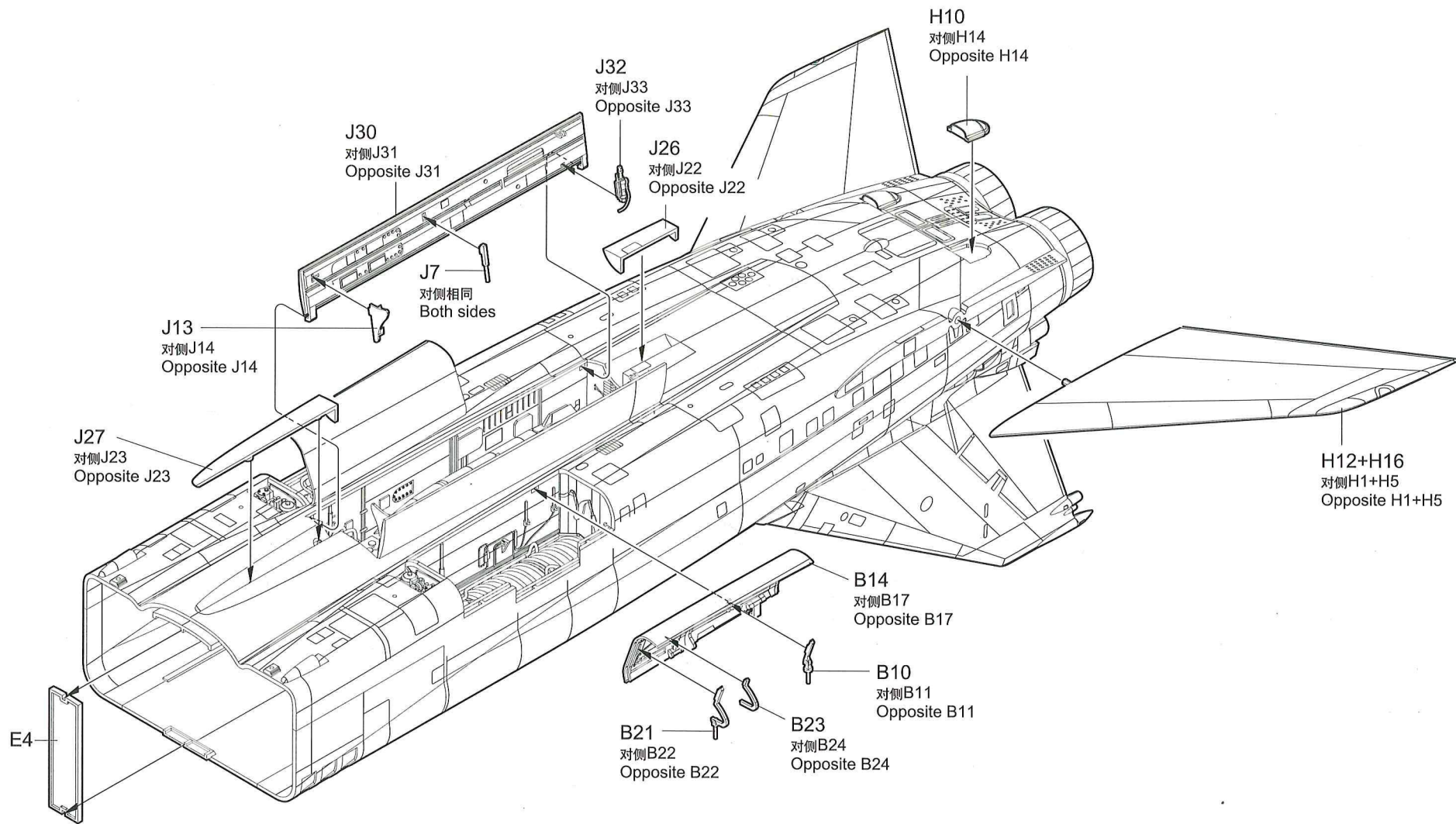
11

制作两组
Make Two

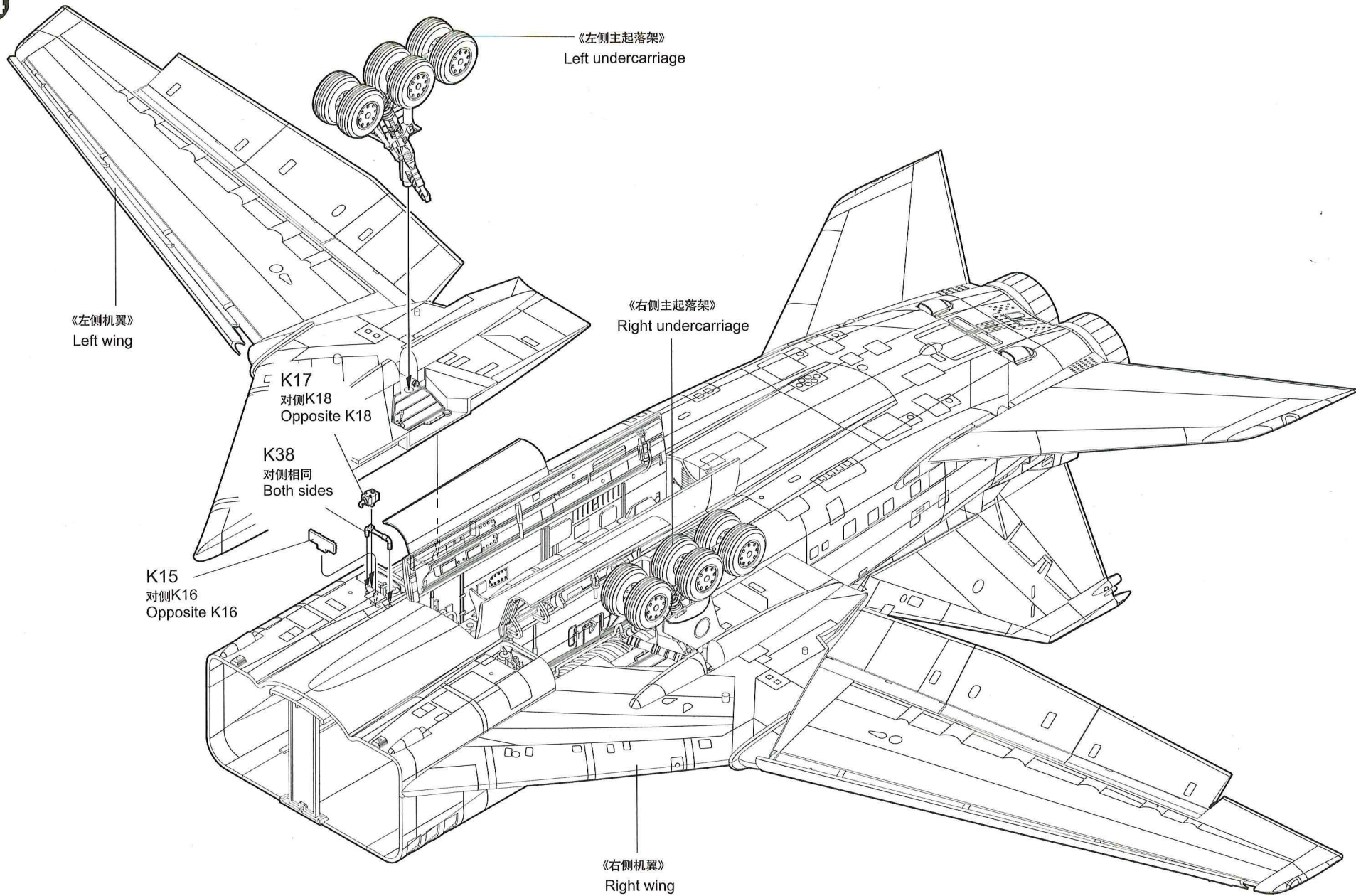


12

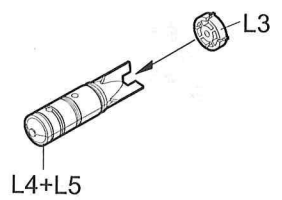




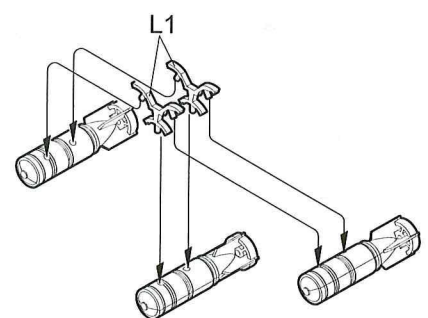
14



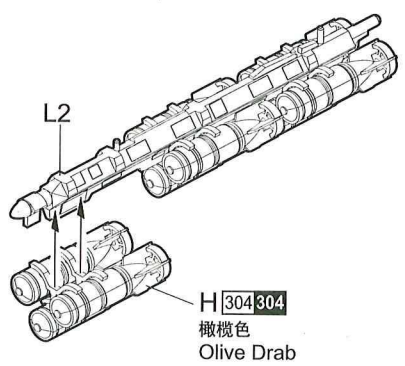
《FAB-250》



制作十八组
Make Eighteen

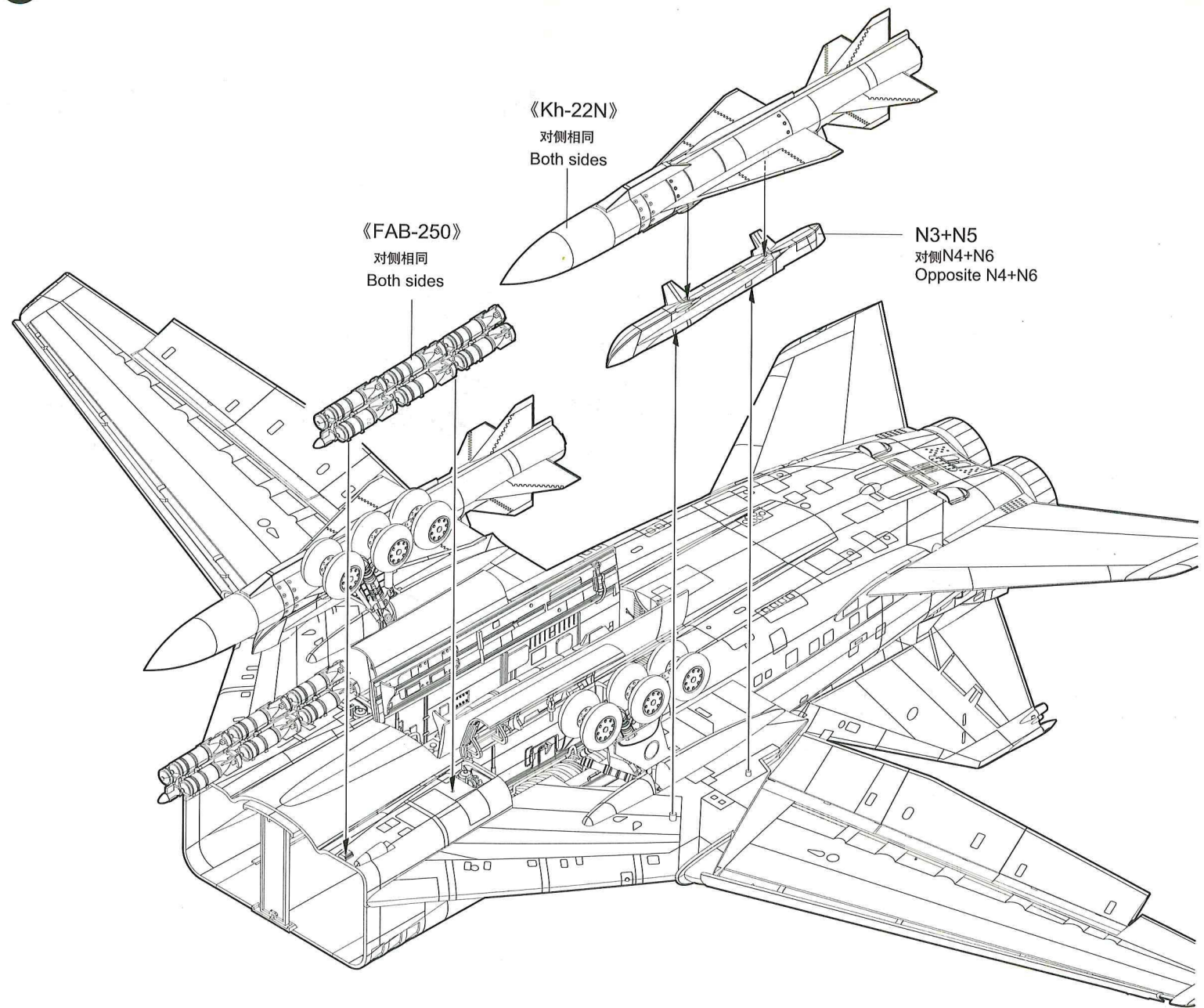


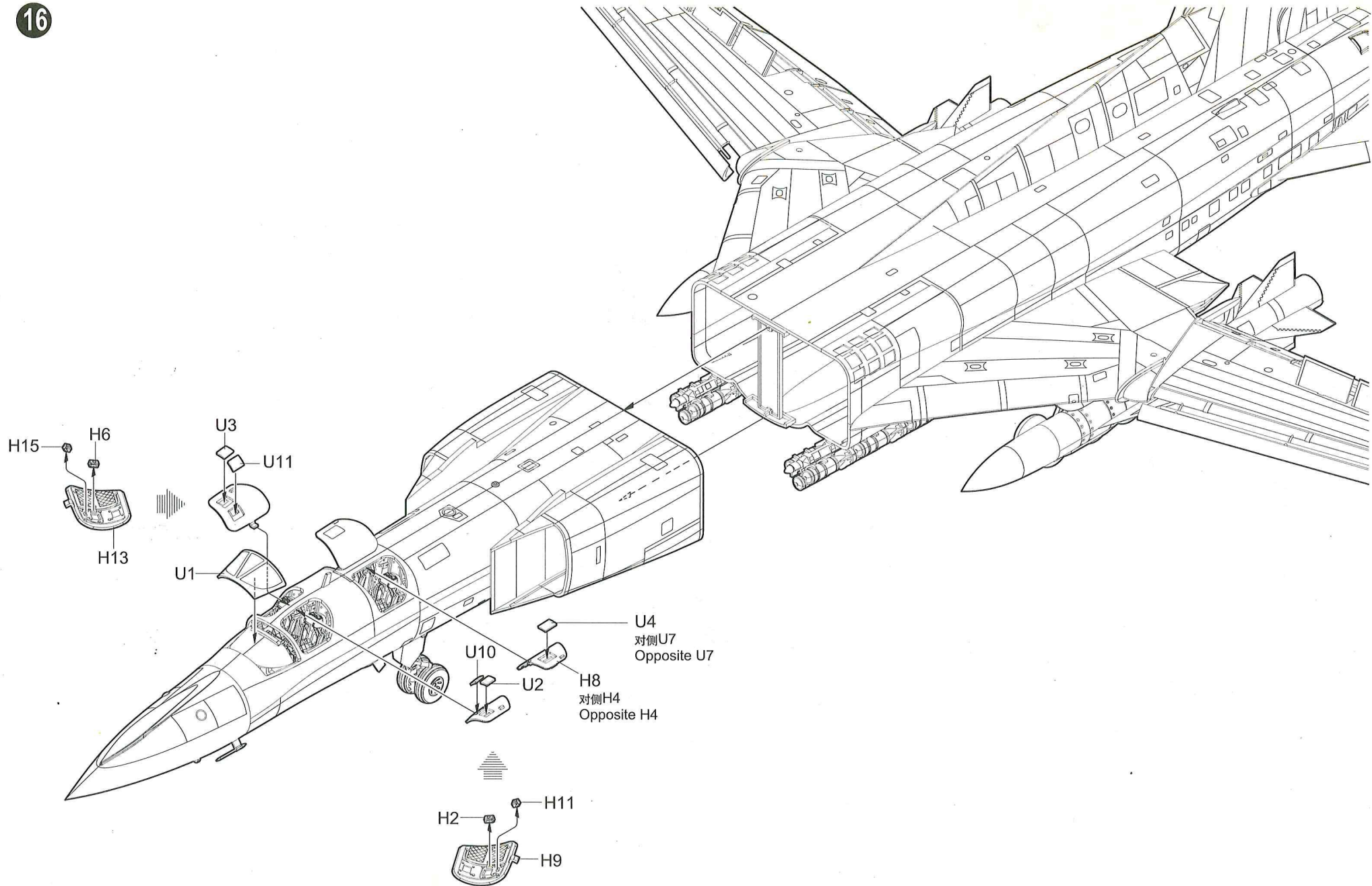
制作六组
Make Six



制作二组
Make Two

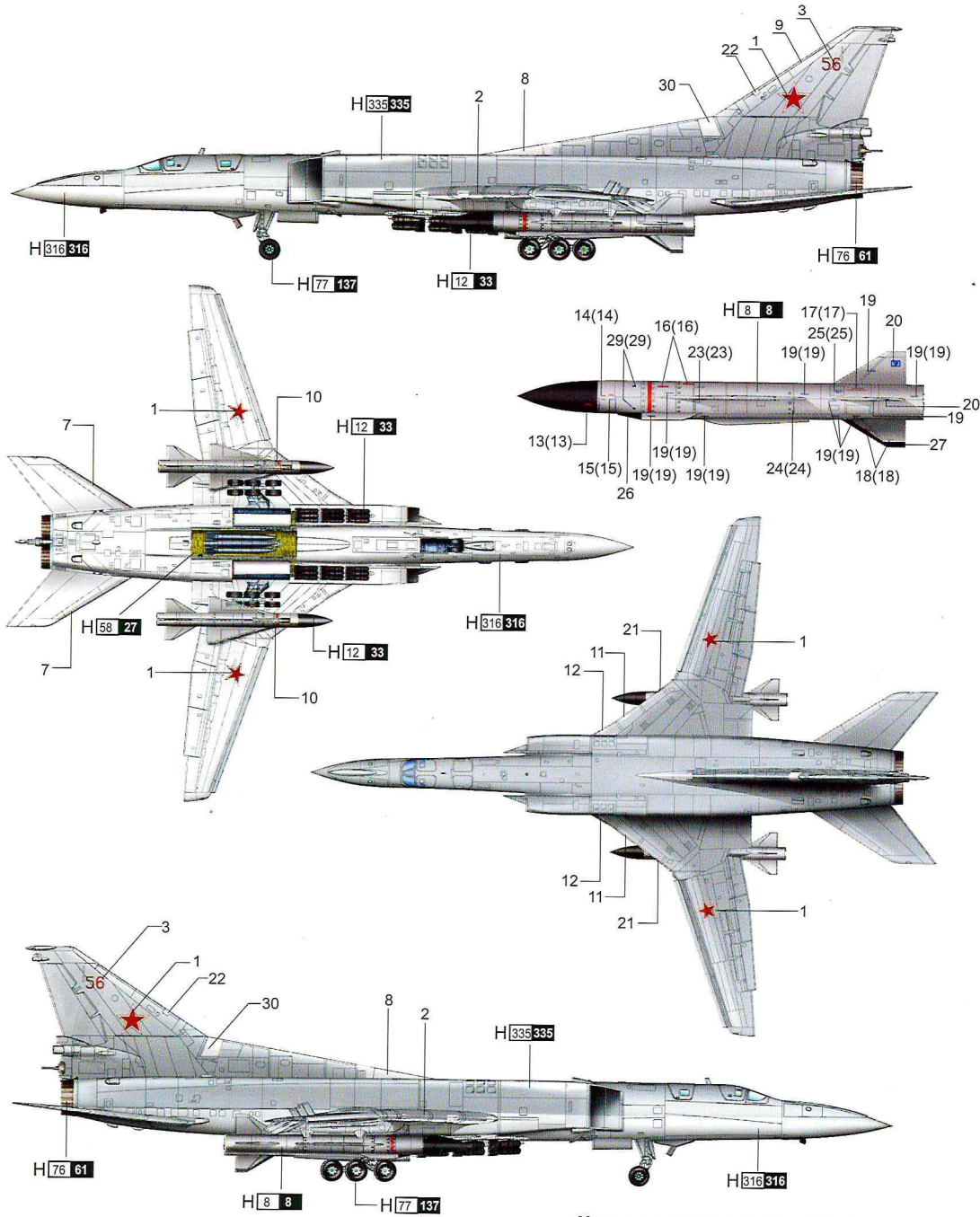
15





涂装同标贴指示 Painting & Marking guide

A



使用 MR.HOBBY 涂料 Mr. COLOR USED

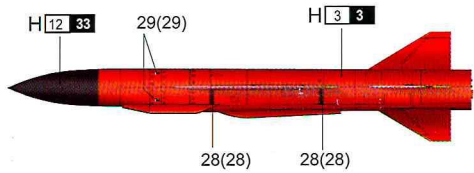
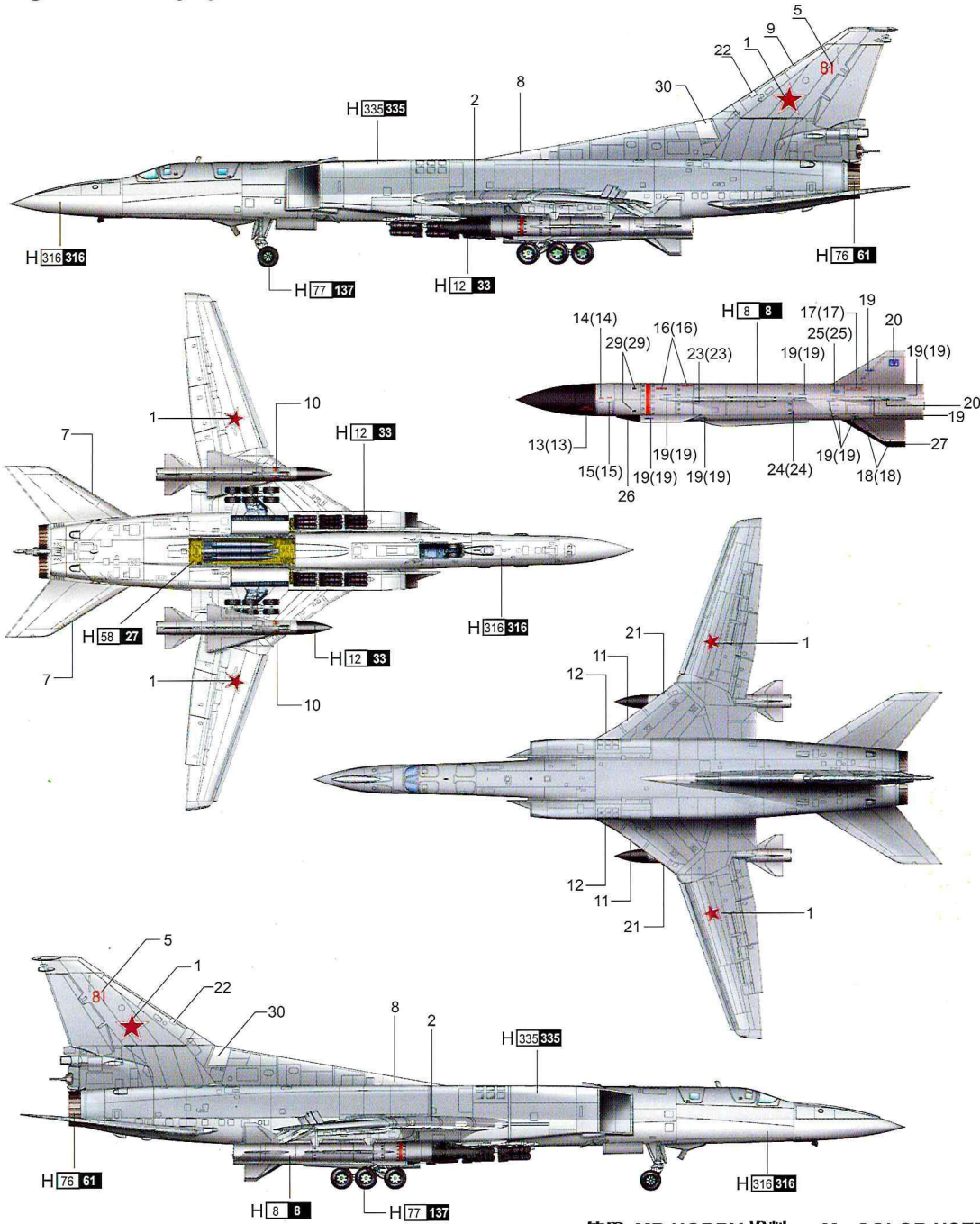
Color	Mr.Hobby	Vallejo	Model Master	Tamiya	Humbrol
红色 Bright Red	H 3 3	908	1503	X7	19
消光黑 Flat black	H 12 33	950	1749	XF1	33
银色 Silver	H 8 8	997	1546	X11	11
锈铁色 Burnt Iron	H 76 61	863	1795	X10	53
胎黑色 Tire black	H 77 137				
翠绿 Midland Green	H 58 27				
白色 White Insignia	H 316 316	991	1745	X2	22
中性灰 Medium Sea Grey	H 335 335	-	-	-	165

H [X] AQUEOUS HOBBY COLOR X MR COLOR

01655 1/72 Tu-22M2 Backfire B Strategic bomber

涂装同标贴指示 Painting & Marking guide

B



使用 MR.HOBBY 涂料 Mr. COLOR USED

Color	Mr.Hobby	Vallejo	Model Master	Tamiya	Humbrol
红色 Bright Red	H 3 3	908	1503	X7	19
消光黑 Flat black	H 12 33	950	1749	XF1	33
银色 Silver	H 8 8	997	1546	X11	11
烧铁色 Burnt Iron	H 76 61	863	1795	X10	53
胎黑色 Tire black	H 77 137				
机体内颜色 Internal Green	H 58 27				
白色 White Insignia	H 316 316	991	1745	X2	22
中性灰 Medium Sea Grey	H 335 335	-	-	-	165

H [X] AQUEOUS HOBBY COLOR X MR COLOR

01655 1/72 Tu-22M2 Backfire B Strategic bomber