

EN

## AX4 2.4GHz Transmitter, AE6 ESC/Receiver

### NOTICE

All instructions, warranties and other collateral documents are subject to change at the sole discretion of Horizon Hobby, LLC. For up-to-date product literature, visit horizonhobby.com or towerhobbies.com and click on the support tab for this product.

### MEANING OF SPECIAL LANGUAGE

The following terms are used throughout the product literature to indicate various levels of potential harm when operating this product:

**WARNING:** Procedures, which if not properly followed, create the probability of property damage, collateral damage, and serious injury OR create a high probability of superficial injury.

**CAUTION:** Procedures, which if not properly followed, create the probability of physical property damage AND a possibility of serious injury.

**NOTICE:** Procedures, which if not properly followed, create a possibility of physical property damage AND a little or no possibility of injury.



**WARNING:** Read the ENTIRE instruction manual to become familiar with the features of the product before operating. Failure to operate the product correctly can result in damage to the product, personal property and cause serious injury.

This is a sophisticated hobby product. It must be operated with caution and common sense and requires some basic mechanical ability. Failure to operate this Product in a safe and responsible manner could result in injury or damage to the product or other property. This product is not intended for use by children without direct adult supervision. Do not use with incompatible components or alter this product in any way outside of the instructions provided by Horizon Hobby, LLC. This manual contains instructions for safety, operation and maintenance. It is essential to read and follow all the instructions and warnings in the manual, prior to assembly, setup or use, in order to operate correctly and avoid damage or serious injury.

**Age Recommendation: Not for children under 14 years. This is not a toy.**

## SAFETY PRECAUTIONS

As the user of this product, you are solely responsible for operating in a manner that does not endanger yourself and others or result in damage to the product or property of others.

- Always ensure all batteries have been properly charged prior to using the model.
- Always check all servos and their connections prior to each run.
- Never operate your model near spectators, parking areas or any other area that could result in injury to people or damage of property.
- Never operate your model during adverse weather conditions. Poor visibility can cause disorientation and loss of control of your model.
- Never point the transmitter antenna directly toward the model. The radiation pattern from the tip of the antenna is inherently low.
- If at any time during the operation of your model you observe any erratic or abnormal operation, immediately stop operation of your model until the cause of the problem has been ascertained and corrected.

## TABLE OF CONTENTS

Specifications.....	2	Throttle Control Switch.....	6
Features and Descriptions .....	2	Steering Dual Rates (D/R-CH1).....	6
Transmitter Layout .....	3	Limited Warranty .....	6
Receiver Layout and Connections.....	4	Warranty and Service Contact Information.....	7
Receiver Mounting and Antenna Installation.....	4	FCC Information.....	8
Install the Transmitter Batteries.....	5	IC Information.....	8
Transmitter and Receiver Binding.....	5	Compliance Information for the European Union .....	8
Steering Trim (CH1).....	6		

## SPECIFICATIONS

TRANSMITTER	
<b>Model</b>	AXI31618
<b>Power Output</b>	<100mW
<b>Voltage</b>	4.8–6V
<b>Power Supply</b>	4 Cell Alkaline/Ni-Cd/Ni-MH
<b>Frequency</b>	2.4GHz FHSS

RECEIVER	
<b>Model</b>	AXI31620
<b>Frequency</b>	2.4GHz FHSS
<b>Voltage</b>	6–7.4V
<b>Dimensions (mm)</b>	33 x 33 x 15

## FEATURES AND DESCRIPTIONS

**Receiver Antenna Wire:** The antenna wire receives the transmitter signal. The antenna wire should be installed through a nylon tube (antenna tube) in the vertical position for the best reception.

**Auxiliary Channel 3 Switch:** Switch to control servo.

**Battery Compartment:** Houses the 4 AA alkaline batteries that power the transmitter.

**Bind Button:** Used in the process of binding the transmitter and receiver.

**Bind LED:** Displays the current status of the transmitter and receiver pair.

**Steering Dual Rate (D/R):** The Dual Rate keys are used to adjust the Steering Dual Rate quickly and easily during use.

**Grip:** The grip is molded in an ergonomic shape for increased comfort, control, and feel.

**Power Indicator:** Indicates that there is power to the transmitter.

**Power Switch:** Turns the transmitter ON and OFF.

**Steering Trim Knob (CH1):** Used to adjust the center TRIM of the steering servo.

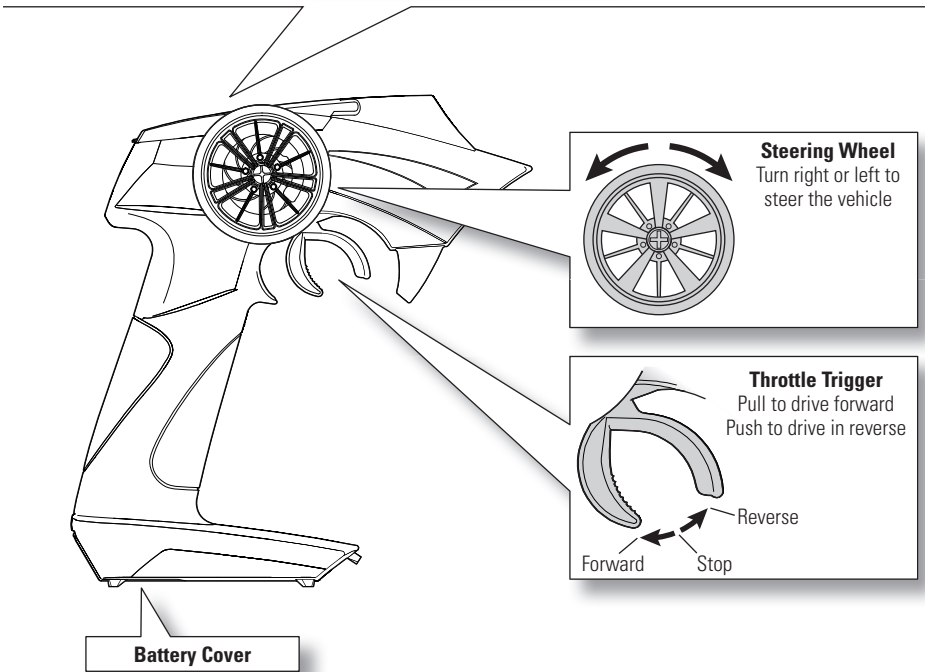
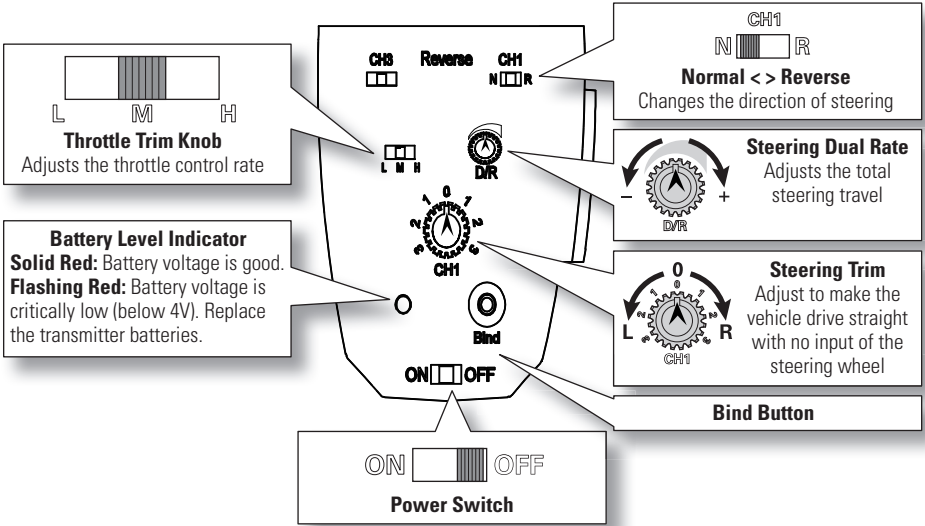
**Steering Wheel (CH1):** Proportionally operates the model's right and left steering control. The steering wheel features a molded grip for increased comfort, control, and feel.

**Throttle Trigger (CH2):** Controls the speed of the model, both forward and backward, or the model's brake.

# TRANSMITTER LAYOUT

Use the diagram below to familiarize yourself with the different parts of your transmitter.

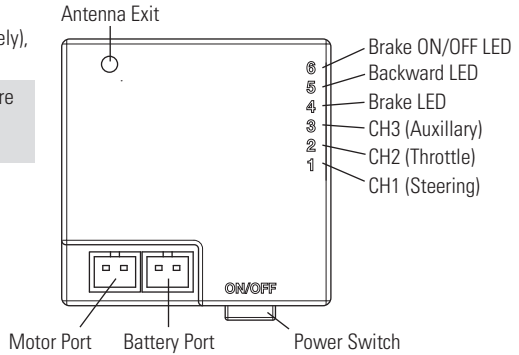
The transmitter antenna is mounted internally and is located in the front portion of the transmitter. When you are driving your model, hold the transmitter so it is oriented as close to vertical as possible. Do not try to follow your model with the transmitter. This provides the best RF signal between the transmitter and the receiver. Do not cover the front of the transmitter during use as doing so can block the RF signal, resulting in loss of control.



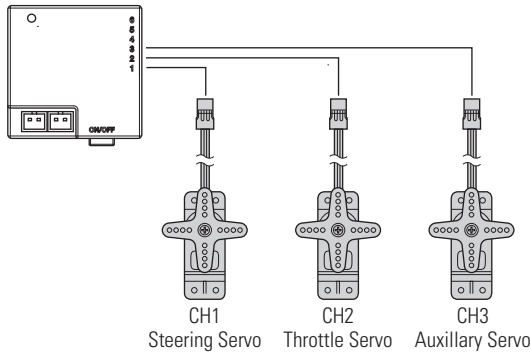
## RECEIVER LAYOUT AND CONNECTIONS

Use the diagrams to familiarize yourself with how to connect the switch harness, servos (available separately), and battery to the receiver.

**NOTICE:** Set your model on a stand so the wheels are off the ground before powering on the radio control system or connecting the motor for the first time.



### Glow, Gas or Mechanical Speed Control Setup



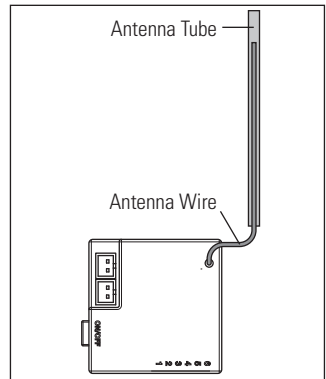
## RECEIVER MOUNTING AND ANTENNA INSTALLATION

The wave length of the 2.4GHz is much shorter than that of the conventional frequencies, it is very susceptible to loss of signal which results in a receiving error.

To obtain maximum results:

1. Keep the antenna as straight as possible.
2. Keep the antenna perpendicular to the model. Larger models can have large metal objects that can attenuate the RF signal. In this case, place the antenna at the sides of the model. The ideal RF signal condition is obtained at any attitude.
3. Keep the antenna at least ½ inch (~13mm) away from conductive materials, such as metal and carbon. The coaxial portion of the antenna does not need to follow these guidelines, but should not be bent in a small radius.
4. Keep the antenna away from the motor, ESC and other RF noise sources.
5. Wrap the receiver in foam to protect it from vibration.

The receiver contains precision electronic parts. It is the most delicate radio component on-board the model and should be protected from vibration, shock, moisture, and temperature extremes. To protect the receiver from vibration, wrap it in R/C foam rubber or other vibration-absorbing material. If operating your vehicle in icy or wet conditions, waterproof the receiver by placing it in a plastic bag and closing the open end with a rubber band before wrapping it in foam. Wrapping the receiver in a plastic bag also protects it from fuel and exhaust residue which may work its way into the model.



**CAUTION:** If moisture enters the receiver, intermittent operation or failure can result.

## INSTALL THE TRANSMITTER BATTERIES

1. Press the battery compartment latch and rotate the batter cover to open.
2. Install 4 AA alkaline batteries (or Ni-Cd or Ni-MH), verifying correct polarity.
3. Close the battery cover until it latches.



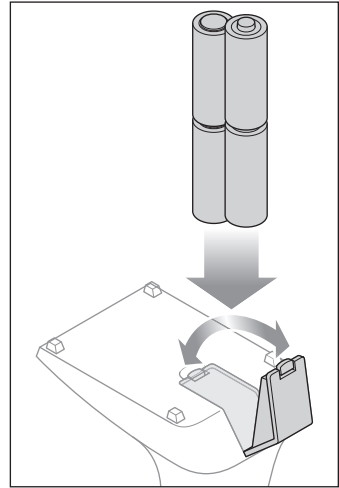
**CAUTION:** NEVER remove the transmitter batteries while the vehicle is powered ON. Loss of vehicle control, damage, or injury may occur.



**CAUTION:** If using rechargeable batteries, charge only rechargeable batteries. Charging non-rechargeable batteries may cause the batteries to burst, resulting in injury or property damage.



**CAUTION:** Risk of explosion if battery is replaced by an incorrect type. Dispose of used batteries according to state and local laws.



## TRANSMITTER AND RECEIVER BINDING

The BIND function allows you to bind the transmitter and receiver. When new, it is necessary to pair the transmitter and receiver to prevent interference from radio controllers operated by other users. This operation is referred to as "binding." Once the binding process is complete, the setting is remembered even when the transmitter and receiver are turned OFF. This procedure generally needs to be done once.

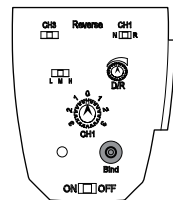
Before starting the binding process, connect the switch harness, servos, and the receiver battery to your 3-Channel receiver. Verify both the transmitter and receiver are OFF.

1. Press the Bind button and power on the transmitter. The transmitter LED will flash.
2. Power on the receiver. The receiver LED will flash.
3. When the LED changes to solid, binding is complete.

When the binding process is successful, the receiver BIND LED will stay solid red when both the transmitter and receiver are turned ON. If the receiver BIND LED is flashing rapidly or not illuminated at all, the transmitter and receiver are not paired. Turn both the transmitter and receiver OFF, then repeat the binding process.

Under some circumstances, the receiver may not operate after the transmitter and receiver are turned ON. If this occurs, repeat the binding process.

**NOTICE:** Do not attempt to bind the transmitter and receiver if there are other compatible transmitters in the bind mode within 400 feet. Doing so may result in unexpected binding.



## STEERING TRIM (CH1)

Steering neutral adjustments can be made by moving the steering trim knob to the left or right.

When you install a servo, always check that the servo is in neutral. Adjust the servo horn position and linkage to both are parallel. Verify the transmitter steering trim is at neutral.

### TRIM OPERATION AND MAXIMUM TRAVEL

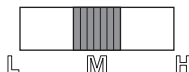
Changing the trim can affect the overall settings. After adjusting the trim, recheck the installation for maximum travel (Steering D/R at 100%).

If it takes most of your trim movement to get a servo to the neutral position, reposition the servohorn on the servo and inspect the linkage installation.



## THROTTLE CONTROL SWITCH

Low, Middle High speed selection. To set the throttle control rate by adjusting the switch to high, middle, and low rate per your selection.



## STEERING DUAL RATES (D/R-CH1)

Use this function to adjust the steering travel of the model. If the model understeers while cornering, add steering by adjusting the lower side of the D/R button. When the model oversteers, remove steering by adjusting the upper side of the D/R button.



## LIMITED WARRANTY

**What this Warranty Covers** — Horizon Hobby, LLC, (Horizon) warrants to the original purchaser that the product purchased (the "Product") will be free from defects in materials and workmanship at the date of purchase.

**What is Not Covered** — This warranty is not transferable and does not cover (i) cosmetic damage, (ii) damage due to acts of God, accident, misuse, abuse, negligence, commercial use, or due to improper use, installation, operation or maintenance, (iii) modification of or to any part of the Product, (iv) attempted service by anyone other than a Horizon Hobby authorized service center, (v) Product not purchased from an authorized Horizon dealer, or (vi) Product not compliant with applicable technical regulations or (vii) use that violates any applicable laws, rules, or regulations.

OTHER THAN THE EXPRESS WARRANTY ABOVE, HORIZON MAKES NO OTHER WARRANTY OR REPRESENTATION, AND HEREBY DISCLAIMS ANY AND ALL IMPLIED WARRANTIES, INCLUDING, WITHOUT LIMITATION, THE IMPLIED WARRANTIES OF NON-INFRINGEMENT, MERCHANTABILITY AND FITNESS FOR A PARTICULAR PURPOSE. THE PURCHASER ACKNOWLEDGES THAT THEY ALONE HAVE DETERMINED THAT THE PRODUCT WILL SUITABLY MEET THE REQUIREMENTS OF THE PURCHASER'S INTENDED USE.

**Purchaser's Remedy** — Horizon's sole obligation and purchaser's sole and exclusive remedy shall be that Horizon will, at its option, either (i) service, or (ii) replace, any Product determined by Horizon to be defective. Horizon reserves the right to inspect any and all Product(s) involved in a warranty claim. Service or replacement decisions are at the sole discretion of Horizon. Proof of purchase is required for all warranty claims. SERVICE OR REPLACEMENT AS PROVIDED UNDER THIS WARRANTY IS THE PURCHASER'S SOLE AND EXCLUSIVE REMEDY.

**Limitation of Liability** — HORIZON SHALL NOT BE LIABLE FOR SPECIAL, INDIRECT, INCIDENTAL OR CONSEQUENTIAL DAMAGES, LOSS OF PROFITS OR PRODUCTION OR COMMERCIAL LOSS IN ANY WAY, REGARDLESS OF WHETHER SUCH CLAIM IS BASED IN CONTRACT, WARRANTY, TORT, NEGLIGENCE, STRICT LIABILITY OR ANY OTHER THEORY OF LIABILITY, EVEN IF HORIZON HAS BEEN ADVISED OF THE POSSIBILITY OF SUCH DAMAGES. Further, in no event shall the liability of Horizon exceed the individual price of the Product on which liability is asserted. As Horizon has no control over use, setup, final assembly, modification or misuse, no liability shall be assumed nor accepted for any resulting damage or injury. By the act of use, setup or assembly, the user accepts all resulting liability. If you as the purchaser or user are not prepared to accept the liability associated with the use of the Product, purchaser is advised to return the Product immediately in new and unused condition to the place of purchase.

**Law** — These terms are governed by Illinois law (without regard to conflict of law principals). This warranty gives you specific legal rights, and you may also have other rights which vary from state to state. Horizon reserves the right to change or modify this warranty at any time without notice.

### WARRANTY SERVICES

**Questions, Assistance, and Services** — Your local hobby store and/or place of purchase cannot provide warranty support or service. Once assembly, setup or use of the Product has been started, you must contact your local distributor or Horizon directly. This will enable Horizon to better answer your questions and service you in the event that you may need any assistance. For questions or assistance, please visit our website at

[www.horizonhobby.com](http://www.horizonhobby.com), submit a Product Support Inquiry, or call the toll free telephone number referenced in the Warranty and Service Contact Information section to speak with a Product Support representative.

**Inspection or Services** — If this Product needs to be inspected or serviced and is compliant in the country you live and use the Product in, please use the Horizon Online Service Request submission process found on our website or call Horizon to obtain a Return Merchandise Authorization (RMA) number. Pack the Product securely using a shipping carton. Please note that original boxes may be included, but are not designed to withstand the rigors of shipping without additional protection. Ship via a carrier that provides tracking and insurance for lost or damaged parcels, as Horizon is not responsible for merchandise until it arrives and is accepted at our facility. An Online Service Request is available at [http://www.horizonhobby.com/content/service-center\\_render-service-center](http://www.horizonhobby.com/content/service-center_render-service-center). If you do not have internet access, please contact Horizon Product Support to obtain a RMA number along with instructions for submitting your product for service. When calling Horizon, you will be asked to provide your complete name, street address, email address and phone number where you can be reached during business hours. When sending product into Horizon, please include your RMA number, a list of the included items, and a brief summary of the problem. A copy of your original sales receipt must be included for warranty consideration. Be sure your name, address, and RMA number are clearly written on the outside of the shipping carton.

**NOTICE: Do not ship Li-Po batteries to Horizon. If you have any issue with a Li-Po battery, please contact the appropriate Horizon Product Support office.**

**Warranty Requirements** — For Warranty consideration, you must include your original sales receipt verifying the proof-of-purchase date. Provided warranty conditions have been met, your Product will be serviced or replaced free of charge. Service or replacement decisions are at the sole discretion of Horizon.

**Non-Warranty Service** — SHOULD YOUR SERVICE NOT BE COVERED BY WARRANTY, SERVICE WILL BE COMPLETED AND PAYMENT WILL BE REQUIRED WITHOUT NOTIFICATION OR ESTIMATE OF THE EXPENSE UNLESS THE EXPENSE EXCEEDS 50% OF THE RETAIL PURCHASE COST. By submitting the item for service you are agreeing to payment of the service without notification. Service estimates are available upon request. You must include this request with your item submitted for service. Non-warranty service estimates will be billed a minimum of ½ hour of labor. In addition you will be billed for return freight. Horizon accepts money orders and cashier's checks, as well as Visa, MasterCard, American Express, and Discover cards. By submitting any item to Horizon for service, you are agreeing to Horizon's Terms and Conditions found on our website [http://www.horizonhobby.com/content/service-center\\_render-service-center](http://www.horizonhobby.com/content/service-center_render-service-center).

**ATTENTION: Horizon service is limited to Product compliant in the country of use and ownership. If received, a non-compliant Product will not be serviced. Further, the sender will be responsible for arranging return shipment of the un-serviced Product, through a carrier of the sender's choice and at the sender's expense. Horizon will hold non-compliant Product for a period of 60 days from notification, after which it will be discarded.**

10/15


## WARRANTY AND SERVICE CONTACT INFORMATION

COUNTRY OF PURCHASE	HORIZON HOBBY	CONTACT INFORMATION	ADDRESS
United States of America	Horizon Service Center (Repairs and Repair Requests)	<a href="http://servicecenter.horizonhobby.com/RequestForm/">servicecenter.horizonhobby.com/RequestForm/</a>	2904 Research Road Champaign, Illinois, 61822 USA
	Horizon Product Support (Product Technical Assistance)	<a href="mailto:productsupport@horizonhobby.com">productsupport@horizonhobby.com</a> 877-504-0233	
	Sales	<a href="mailto:websales@horizonhobby.com">websales@horizonhobby.com</a> 800-338-4639	
European Union	Horizon Technischer Service Sales: Horizon Hobby GmbH	<a href="mailto:service@horizonhobby.eu">service@horizonhobby.eu</a> +49 (0) 4121 2655 100	Hanskampring 9 D 22885 Barsbüttel, Germany

## FCC INFORMATION

### FCC ID: XJ6MT-203


This device complies with part 15 of the FCC rules. Operation is subject to the following two conditions: (1) This device may not cause harmful interference, and (2) this device must accept any interference received, including interference that may cause undesired operation.


 **CAUTION:** Changes or modifications not expressly approved by the party responsible for compliance could void the user's authority to operate the equipment.

This product contains a radio transmitter with wireless technology which has been tested and found to be compliant with the applicable regulations governing a radio transmitter in the 2.400GHz to 2.4835GHz frequency range.

### Supplier's Declaration of Conformity

#### AX4 2.4GHz Transmitter, AE6 ESC/Receiver (AXI31618)

 This device complies with part 15 of the FCC Rules. Operation is subject to the following two conditions: (1) This device may not cause harmful interference, and (2) this device must accept any interference received, including interference that may cause undesired operation.

 **CAUTION:** changes or modifications not expressly approved by the party responsible for compliance could void the user's authority to operate the equipment.

**NOTE:** This equipment has been tested and found to comply with the limits for a Class B digital device, pursuant to part 15 of the FCC Rules. These limits are designed to provide reasonable protection against harmful interference in a residential installation. This equipment generates, uses and can radiate radio frequency energy and, if not installed and used in accordance with the instructions, may cause harmful interference to radio communications. However, there is no guarantee that interference will not occur in a particular installation. If this equipment does cause harmful interference to radio or television reception, which can be determined by turning the equipment off and on, the user is encouraged to try to correct the interference by one or more of the following measures:

- Reorient or relocate the receiving antenna.
- Increase the separation between the equipment and receiver.
- Connect the equipment into an outlet on a circuit different from that to which the receiver is connected.
- Consult the dealer or an experienced radio/TV technician for help.

Horizon Hobby, LLC  
2904 Research Rd.,  
Champaign, IL 61822  
Email: [compliance@horizonhobby.com](mailto:compliance@horizonhobby.com)  
Web: [HorizonHobby.com](http://HorizonHobby.com)

## IC INFORMATION

### IC: 24712-VKMT203

This device complies with Industry Canada licence-exempt RSS standard(s). Operation is subject to the following two conditions:

(1) this device may not cause interference, and (2) this device must accept any interference, including interference that may cause undesired operation of the device.

## COMPLIANCE INFORMATION FOR THE EUROPEAN UNION

### EU Compliance Statement: AX4 2.4GHz Transmitter, AE6 ESC/Receiver (AXI31618)

Horizon Hobby, LLC hereby declares that this product is in compliance with the essential requirements and other relevant provisions of the RED Directive.

A copy of the EU Declaration of Conformity is available online at: <http://www.horizonhobby.com/content/support-render-compliance>.

### Instructions for disposal of WEEE by users in the European Union



This product must not be disposed of with other waste. Instead, it is the user's responsibility to dispose of their waste equipment by handing it over to a designated collections point for the recycling of waste electrical and electronic equipment. The separate collection and

recycling of your waste equipment at the time of disposal will help to conserve natural resources and ensure that it is recycled in a manner that protects human health and the environment. For more information about where you can drop off your waste equipment for recycling, please contact your local city office, your household waste disposal service or where you purchased the product.





## EXPLORE

[facebook.com/axialinc](https://facebook.com/axialinc) | [instagram.com/axialracing](https://instagram.com/axialracing) | [twitter.com/axialrc](https://twitter.com/axialrc)  
[youtube.com/axialvideos](https://youtube.com/axialvideos) | [flickr.com/axialrc](https://flickr.com/axialrc)

