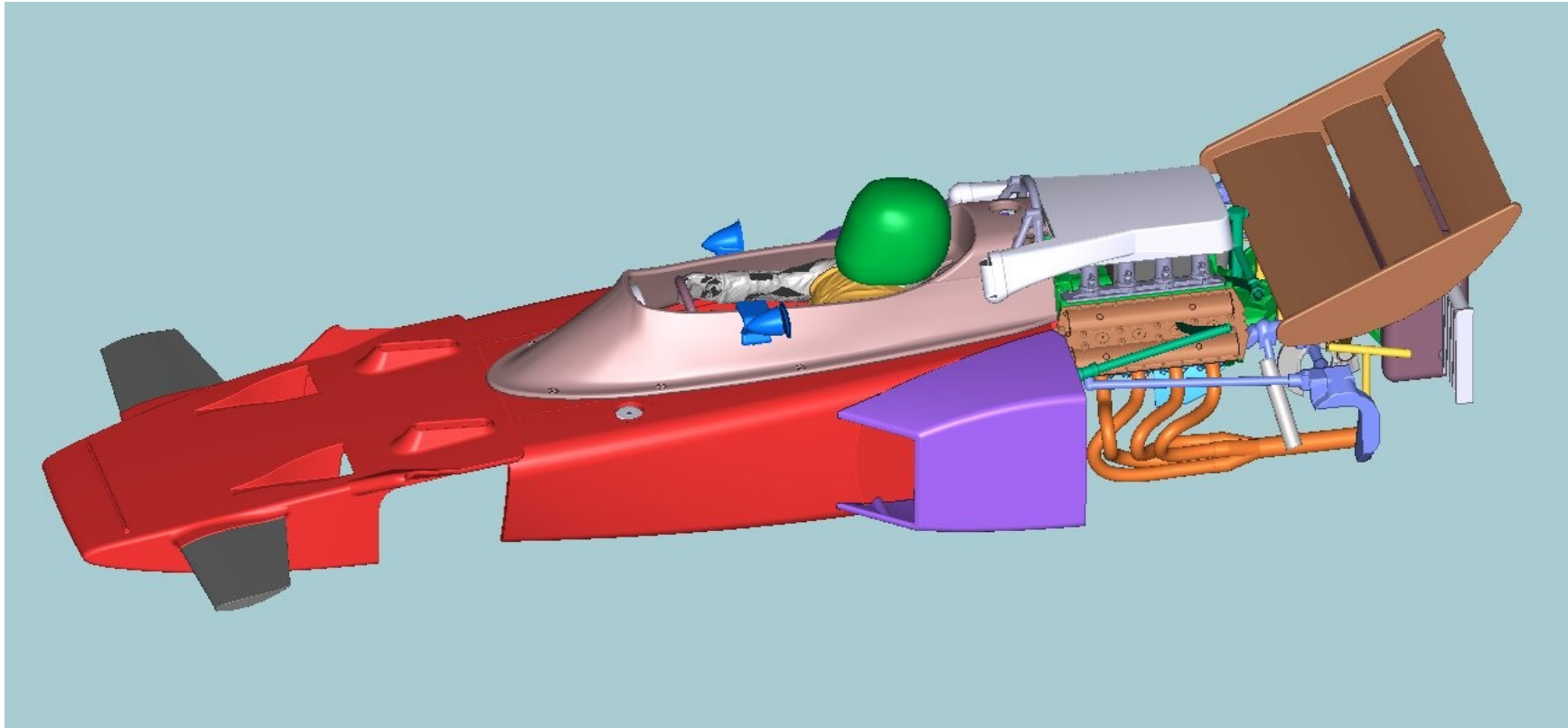
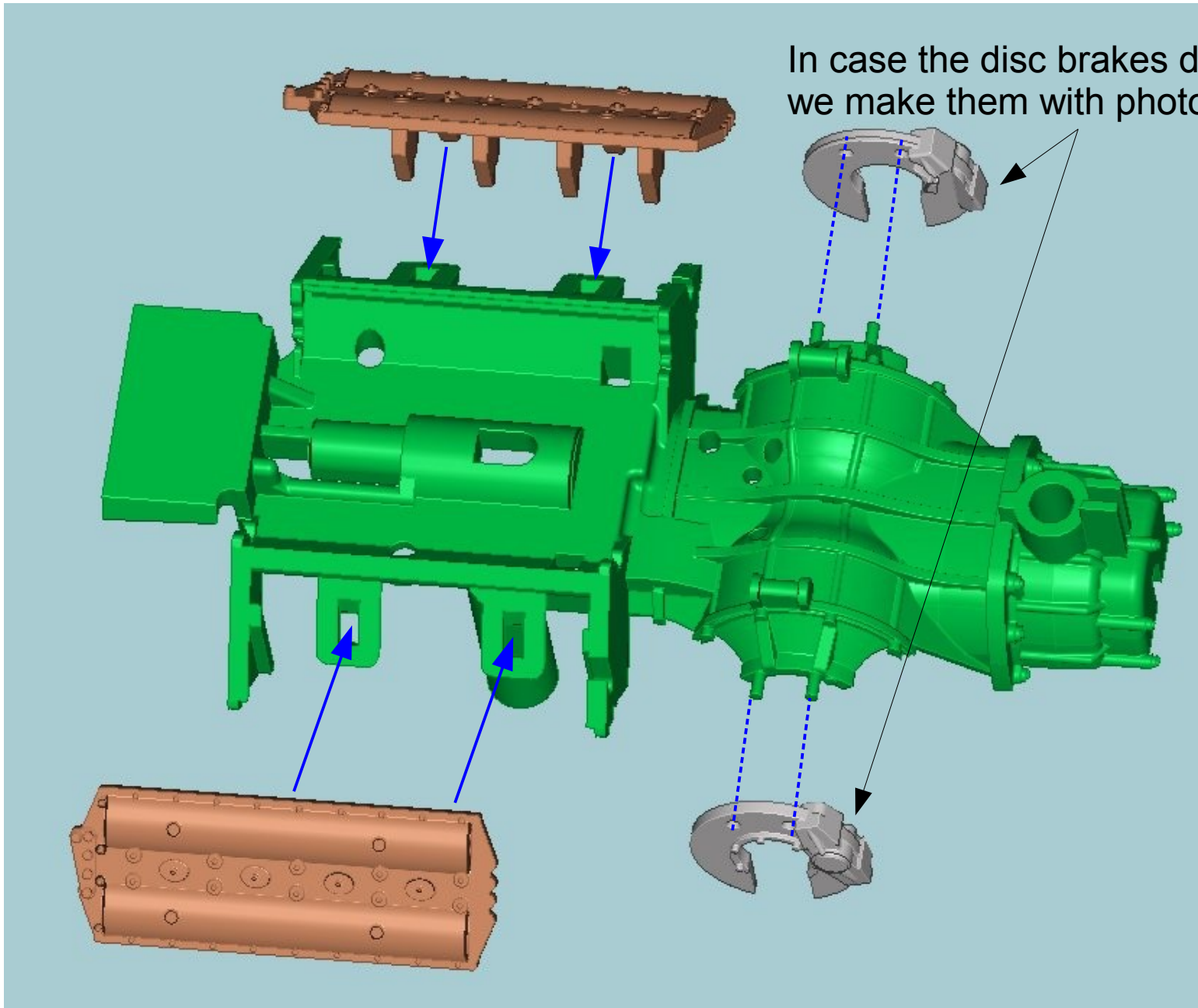
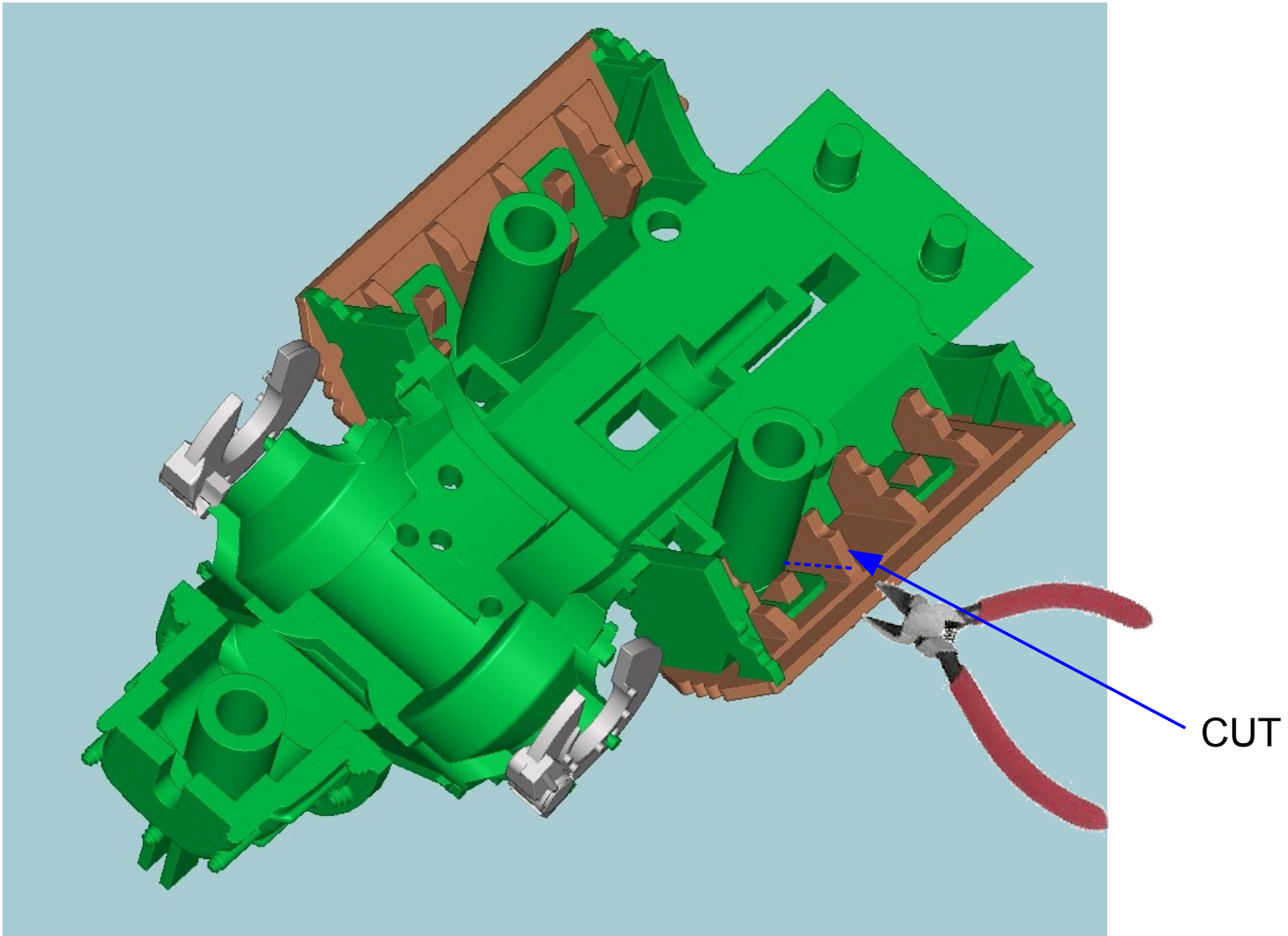


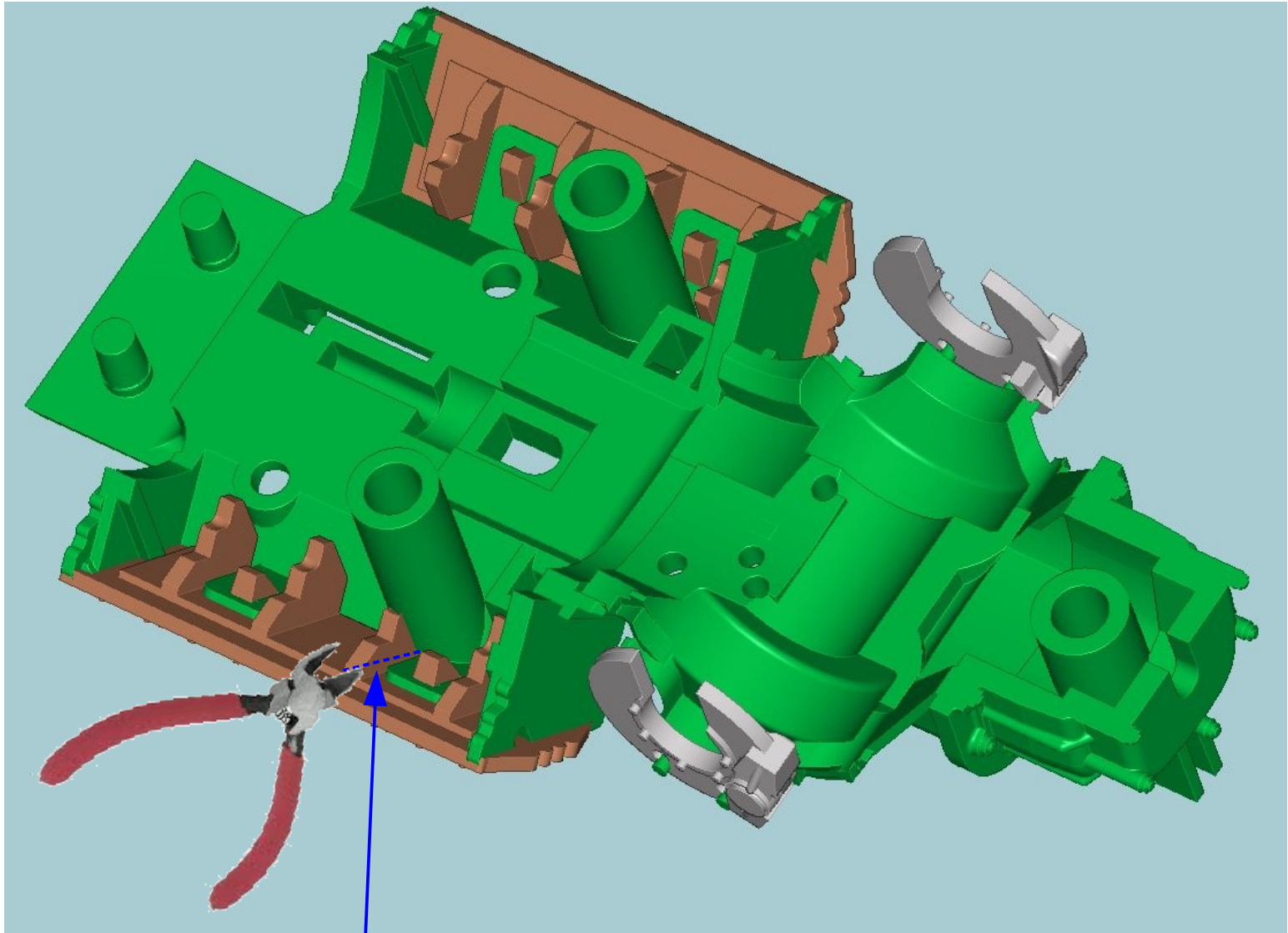
# Lotus 72 CAR02a Instructions



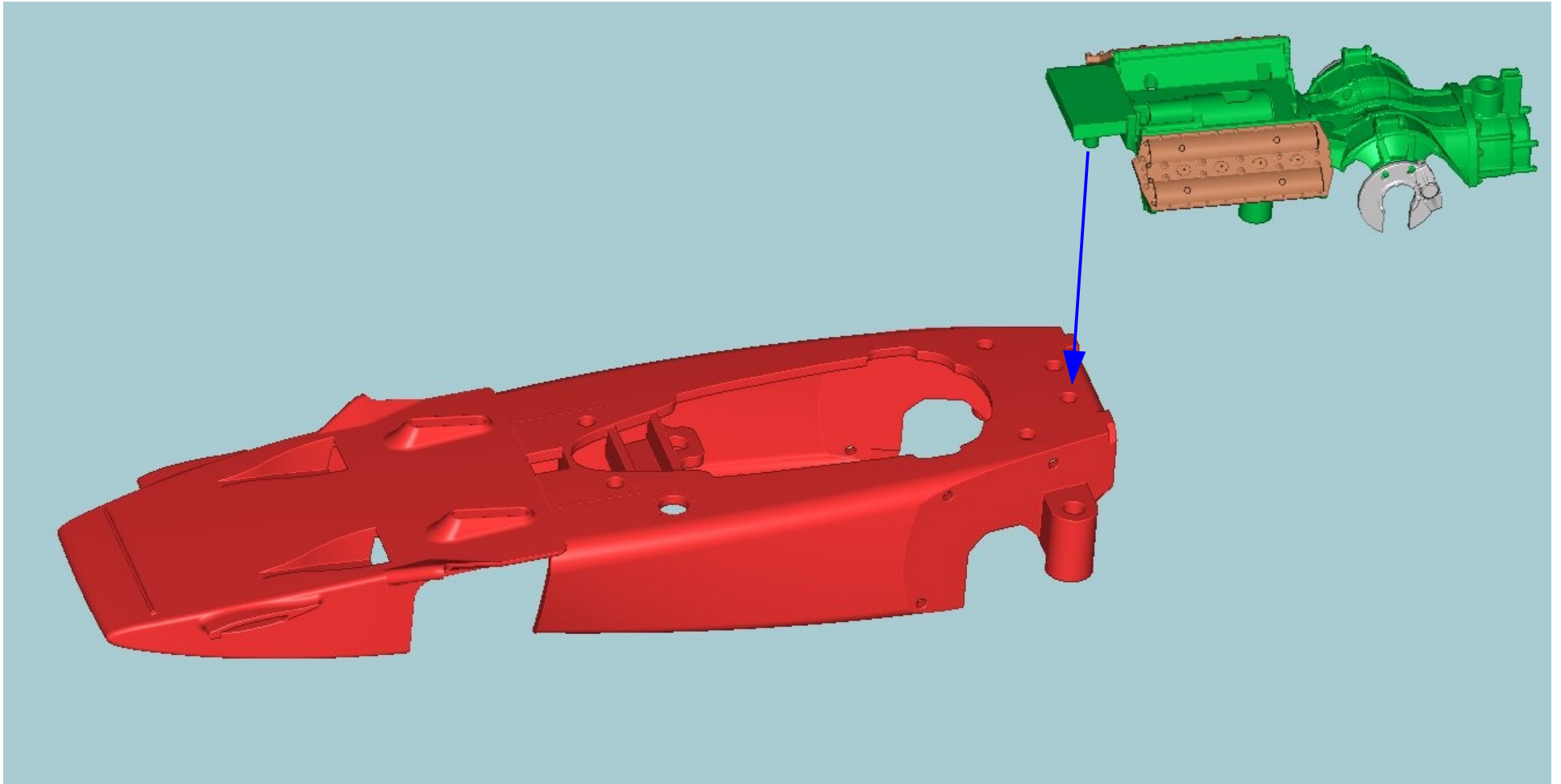


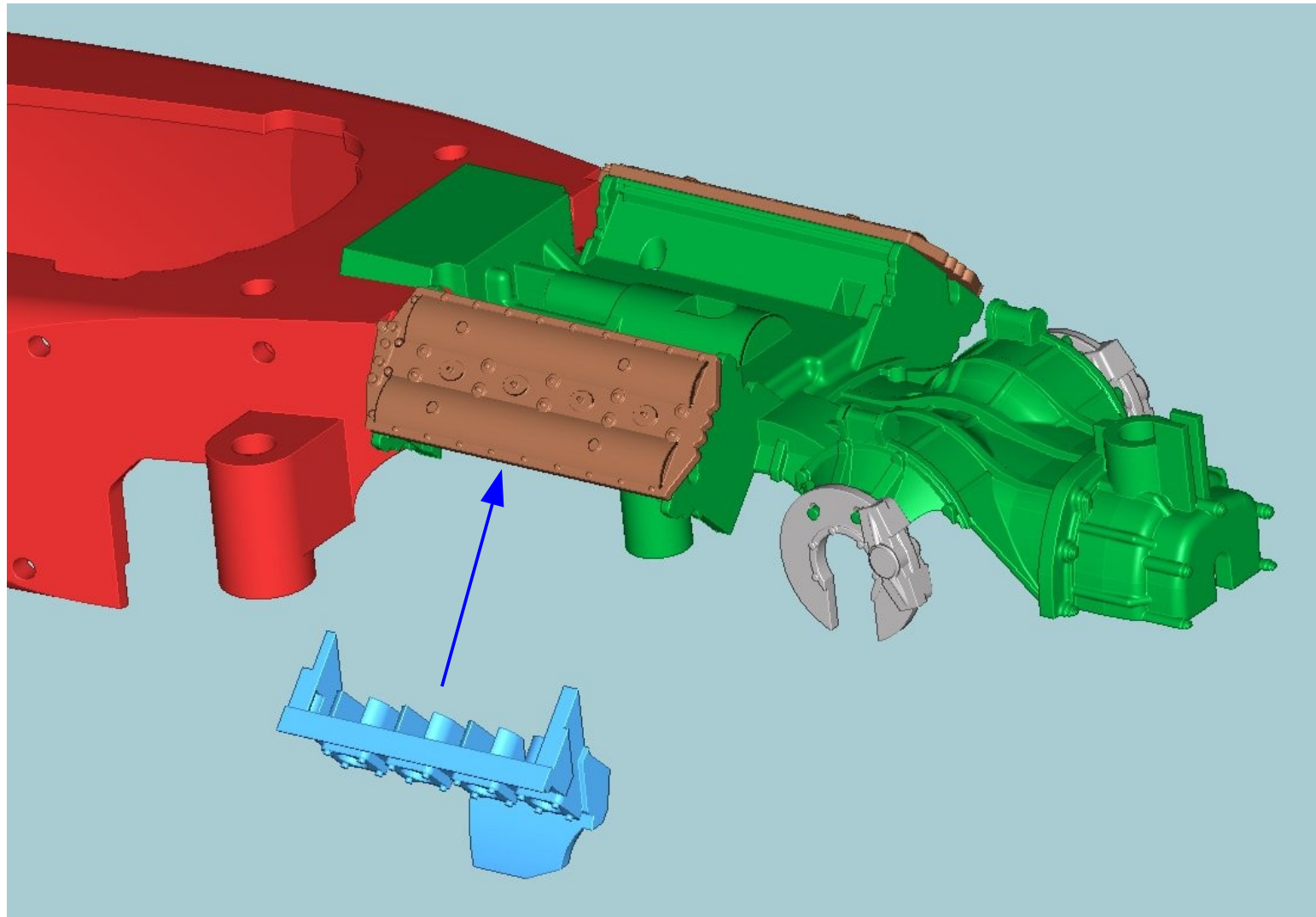
In case the disc brakes don't fit  
we make them with photo etching

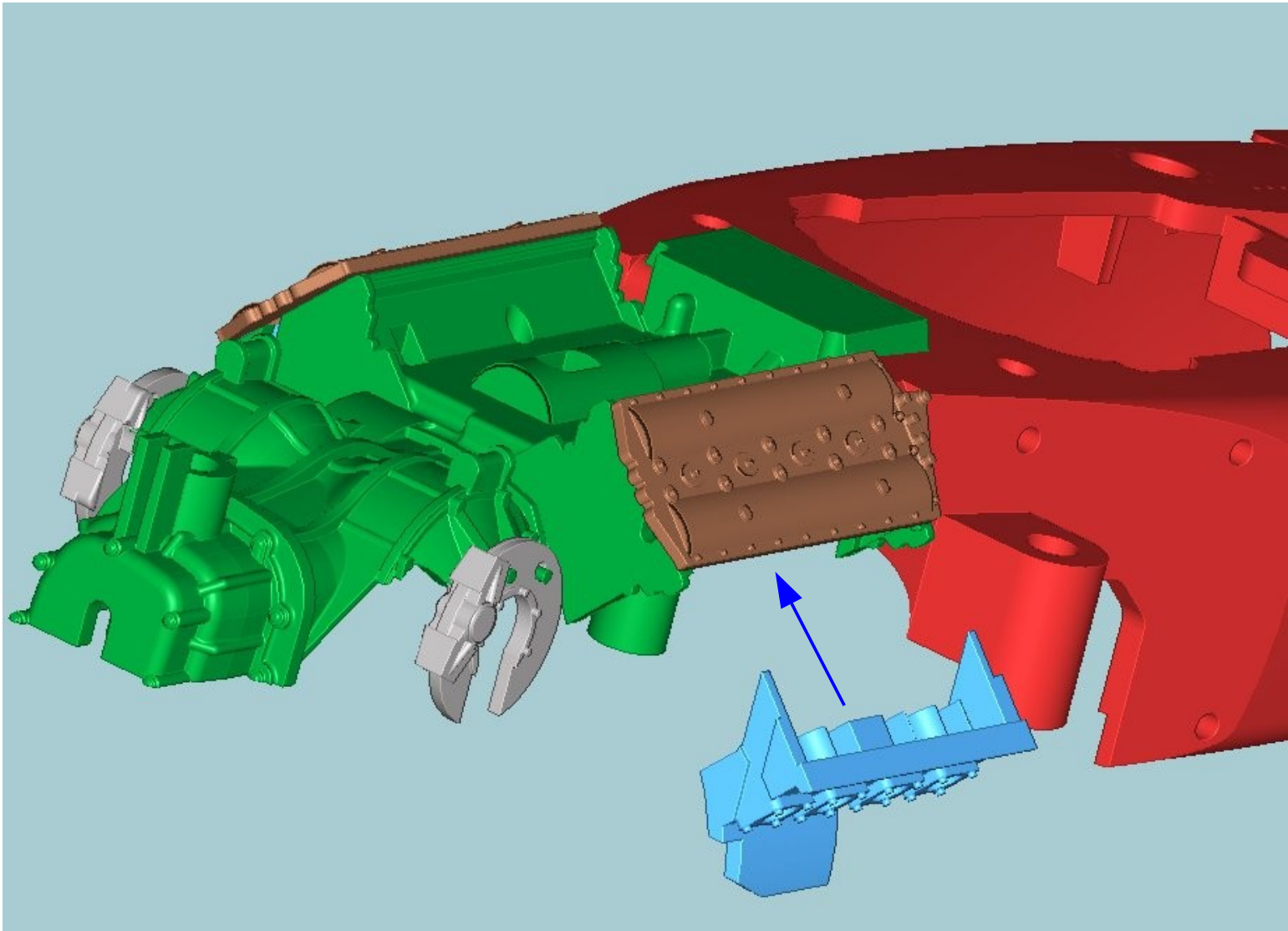


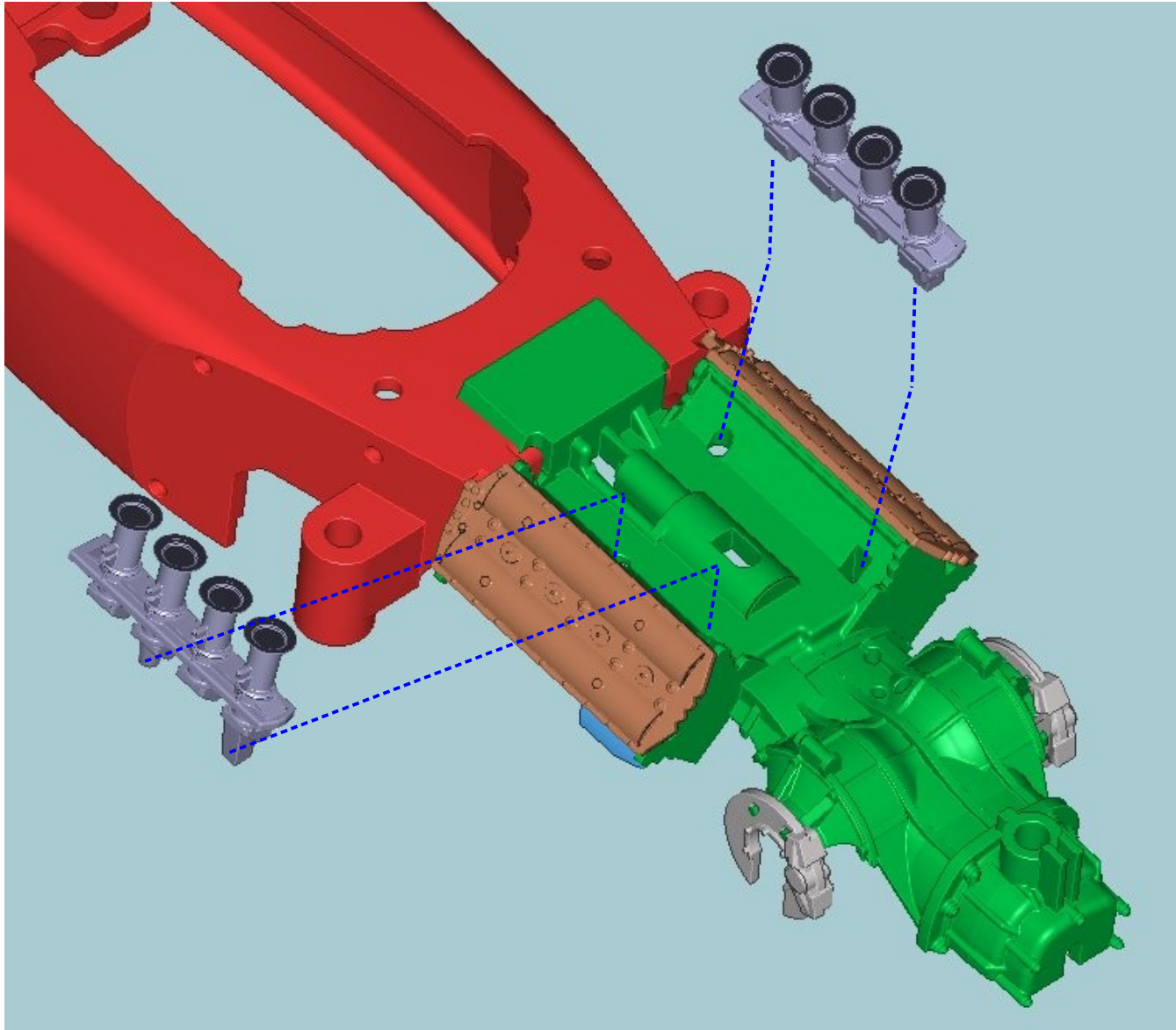


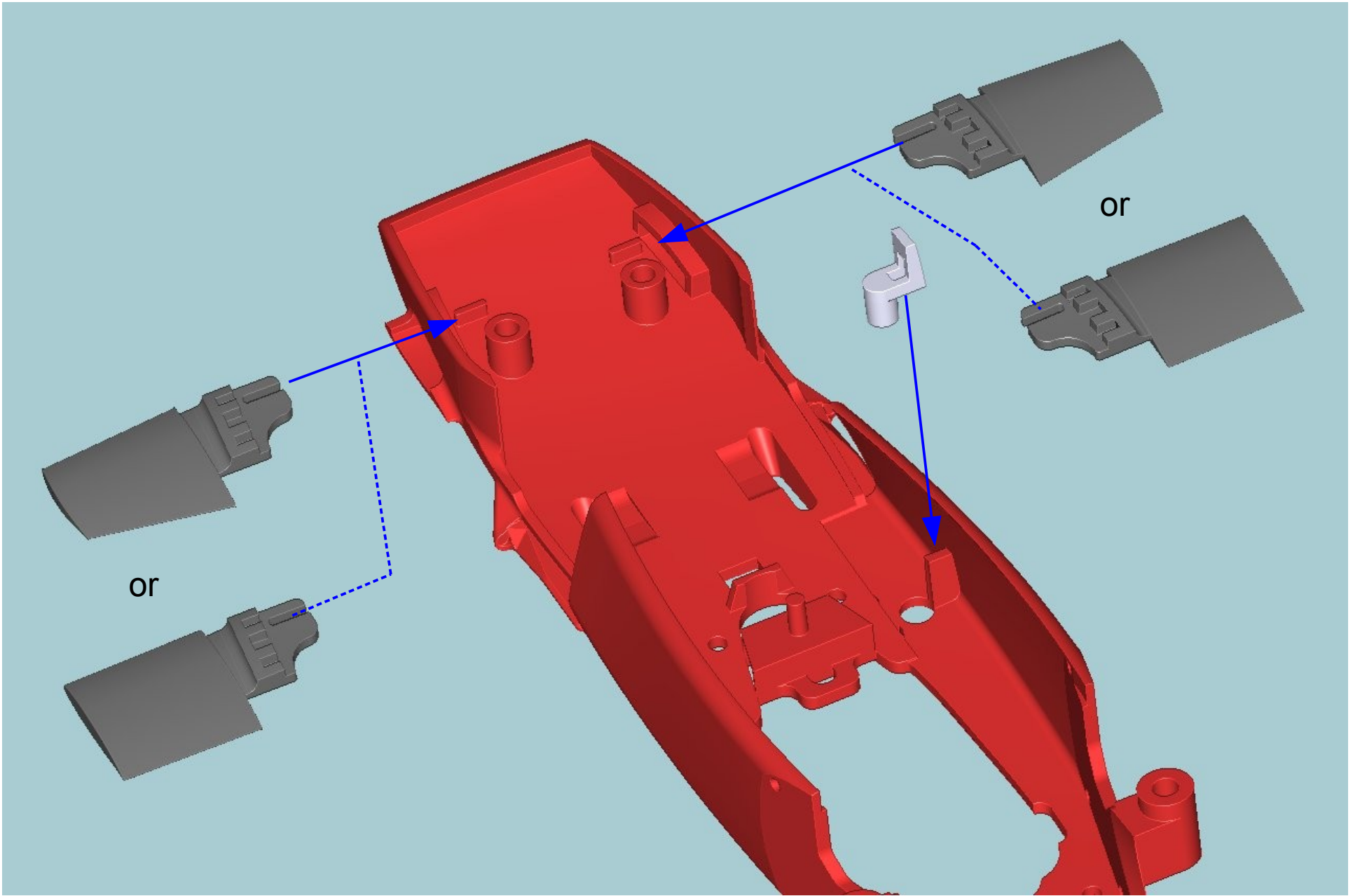
CUT

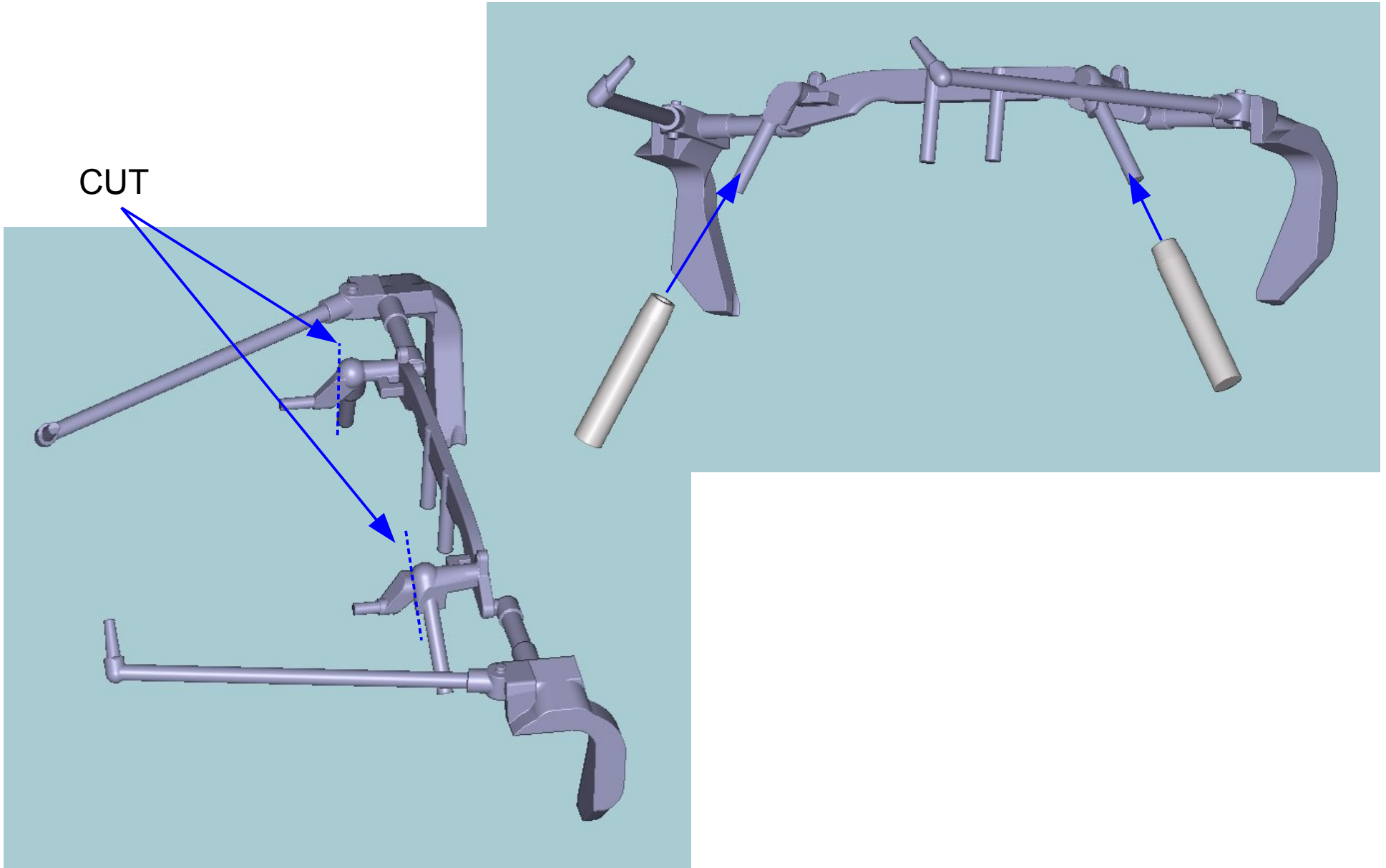


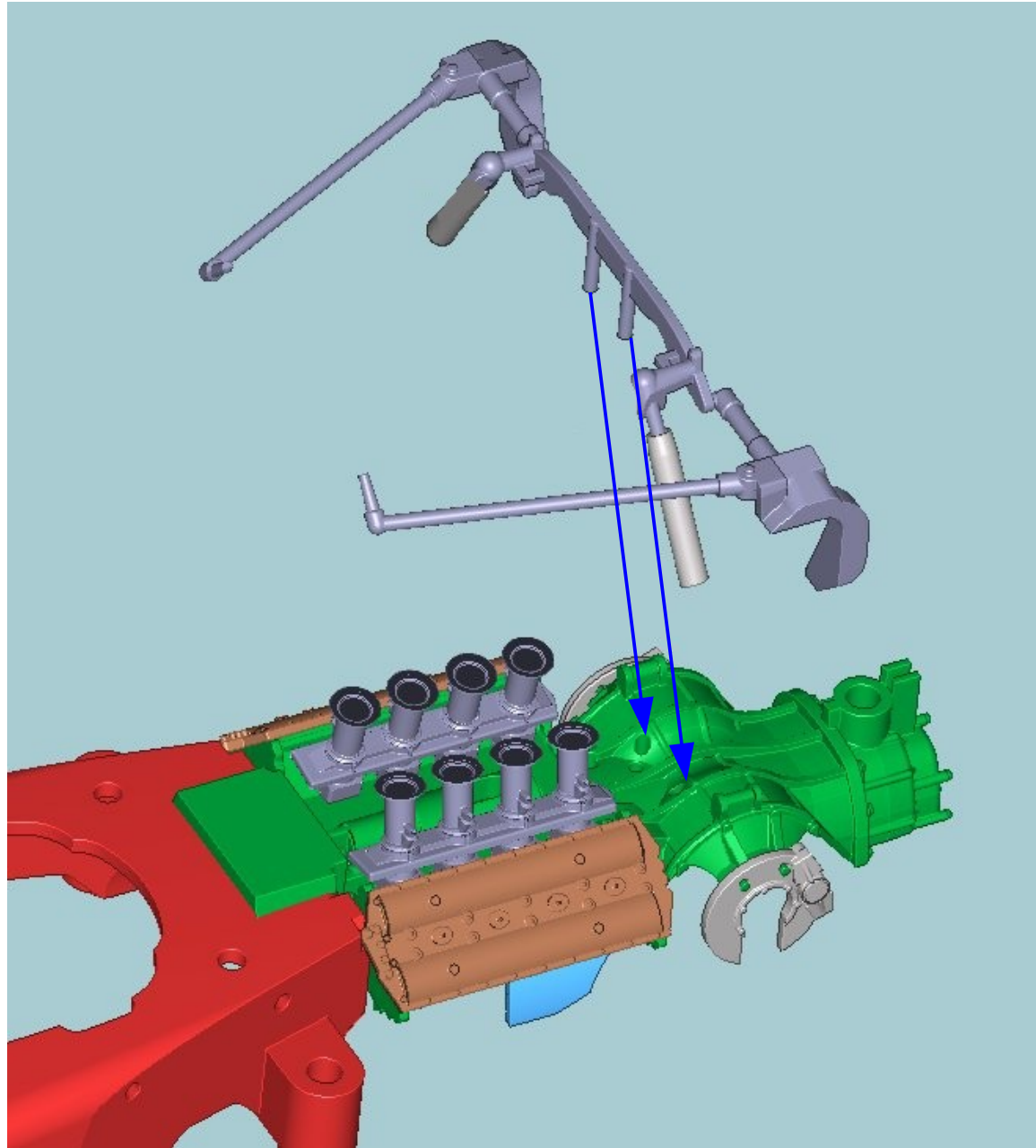


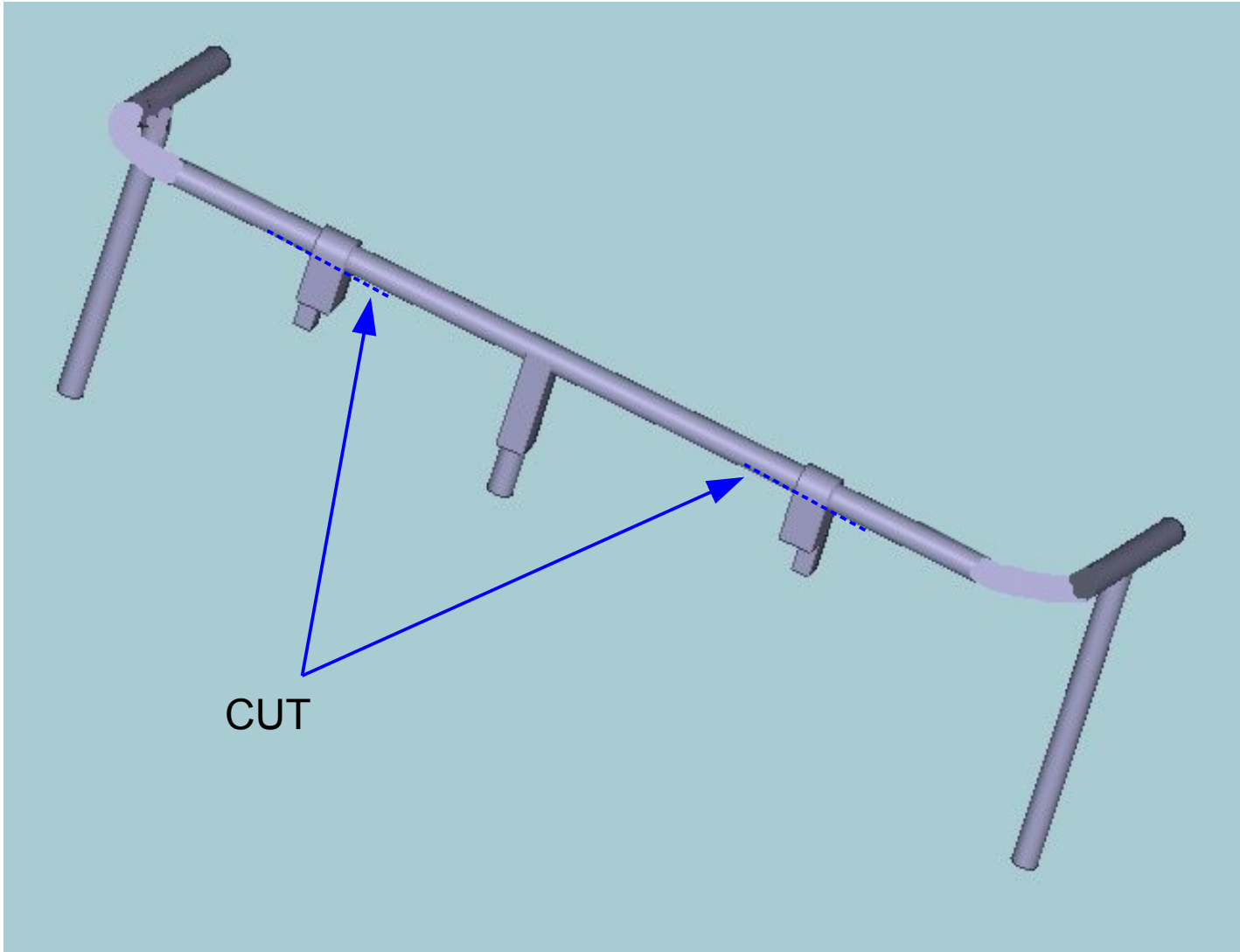


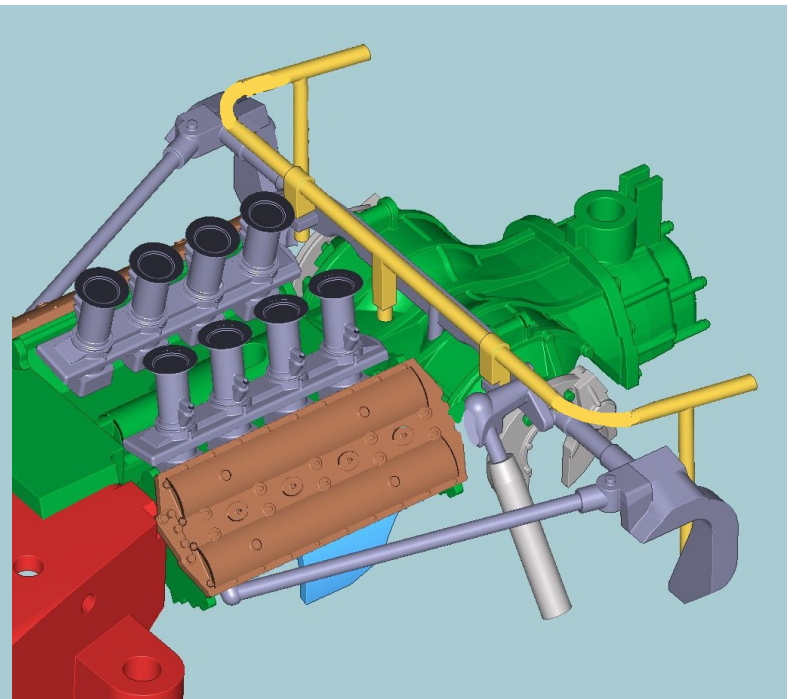
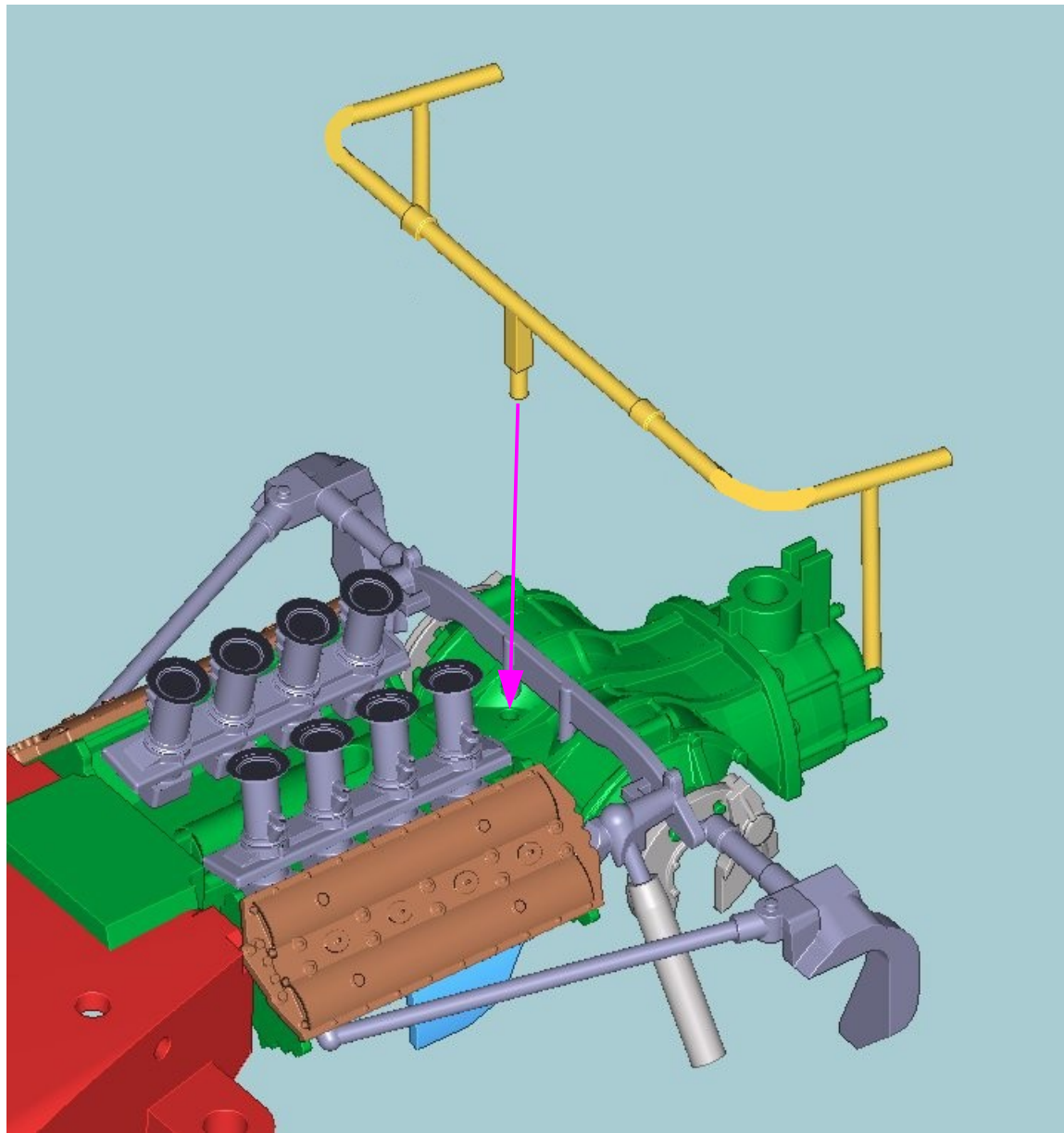


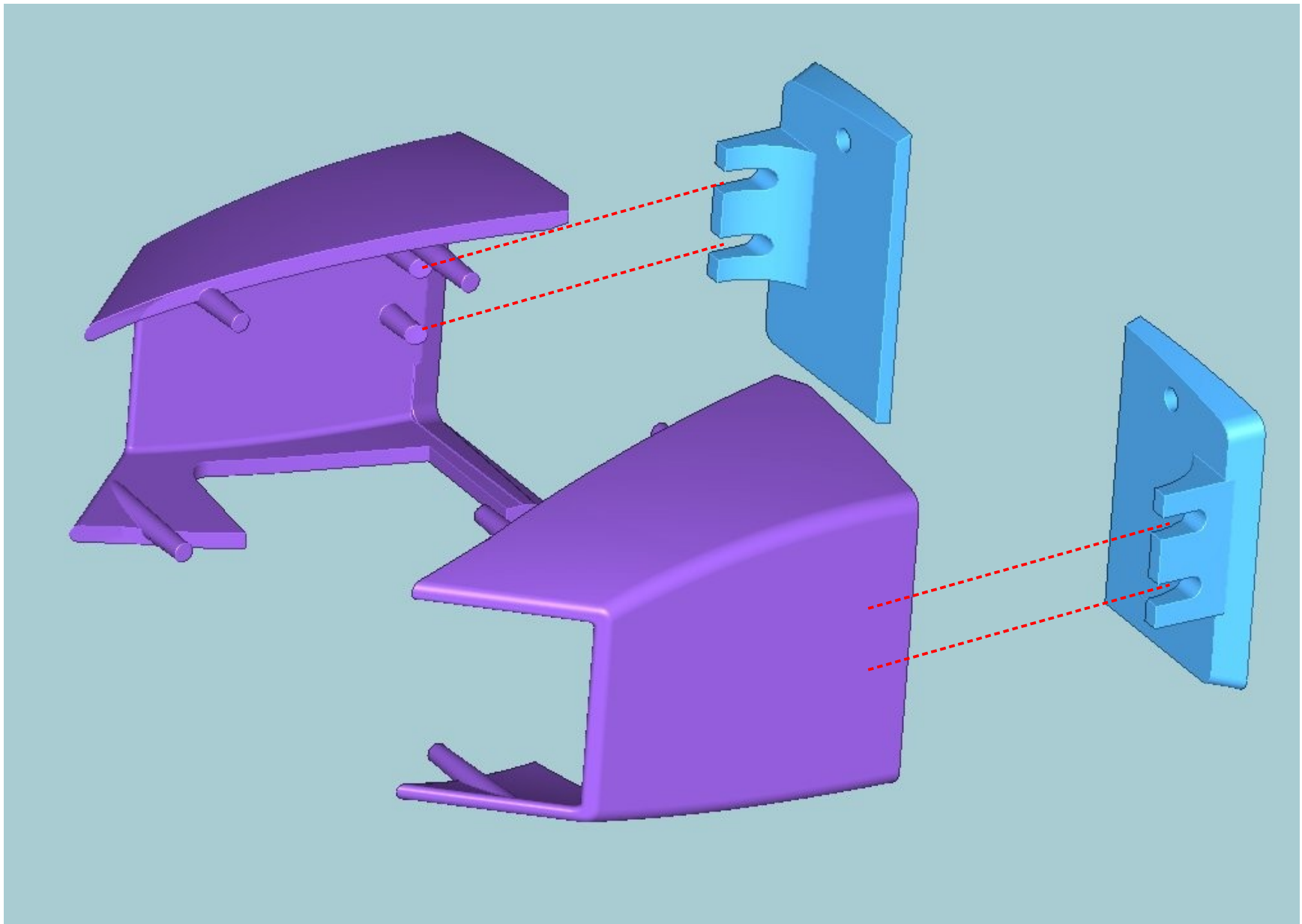


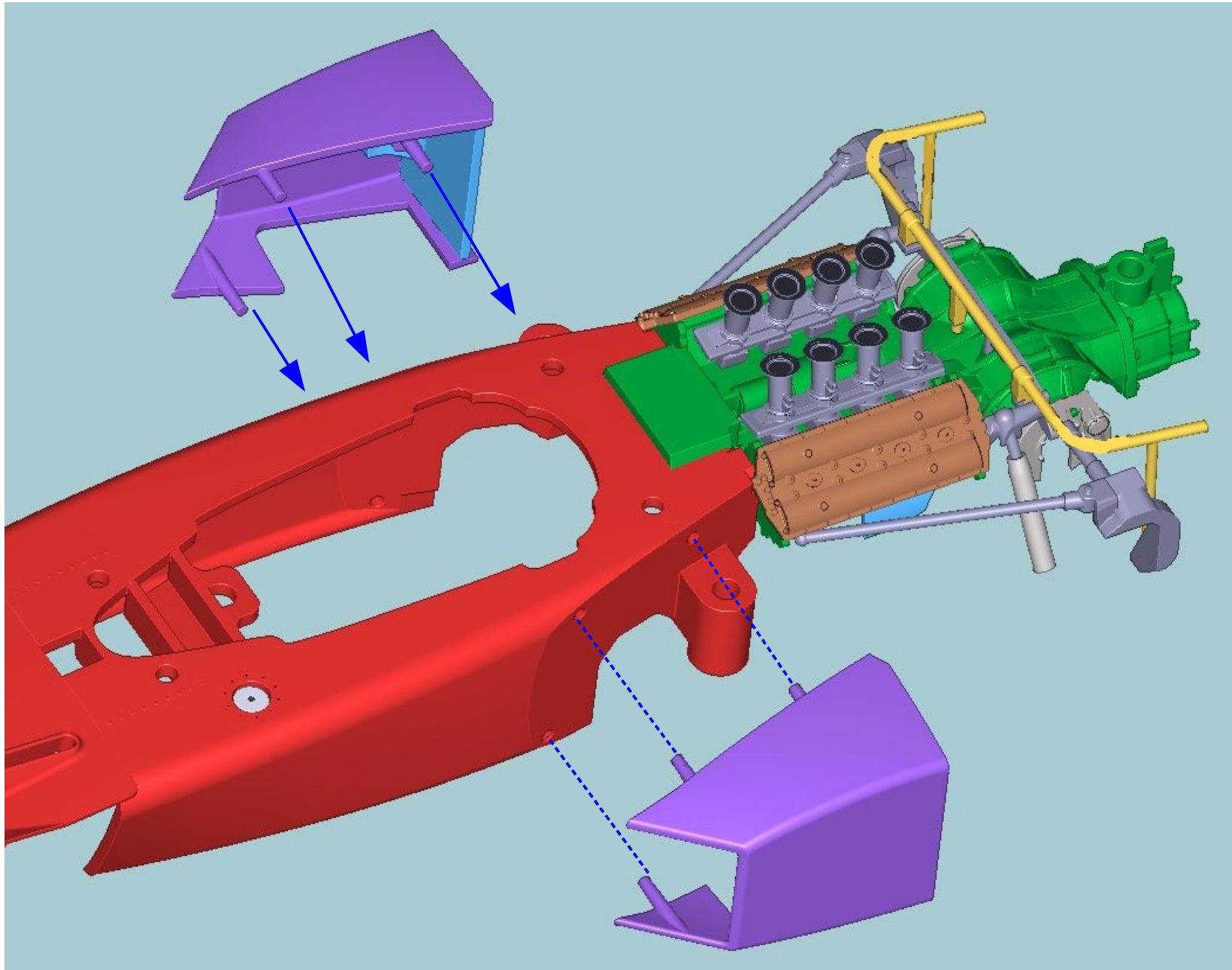


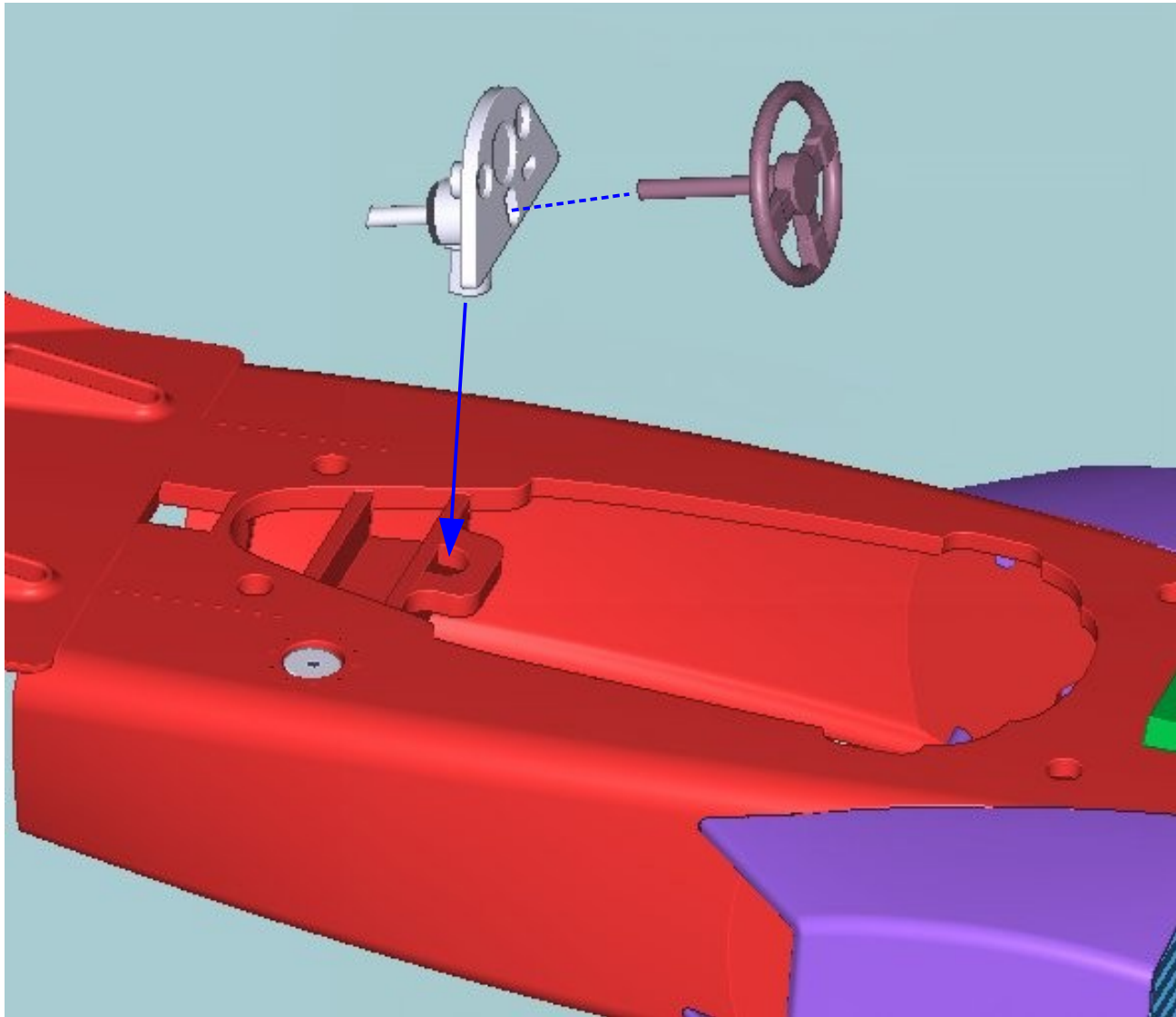


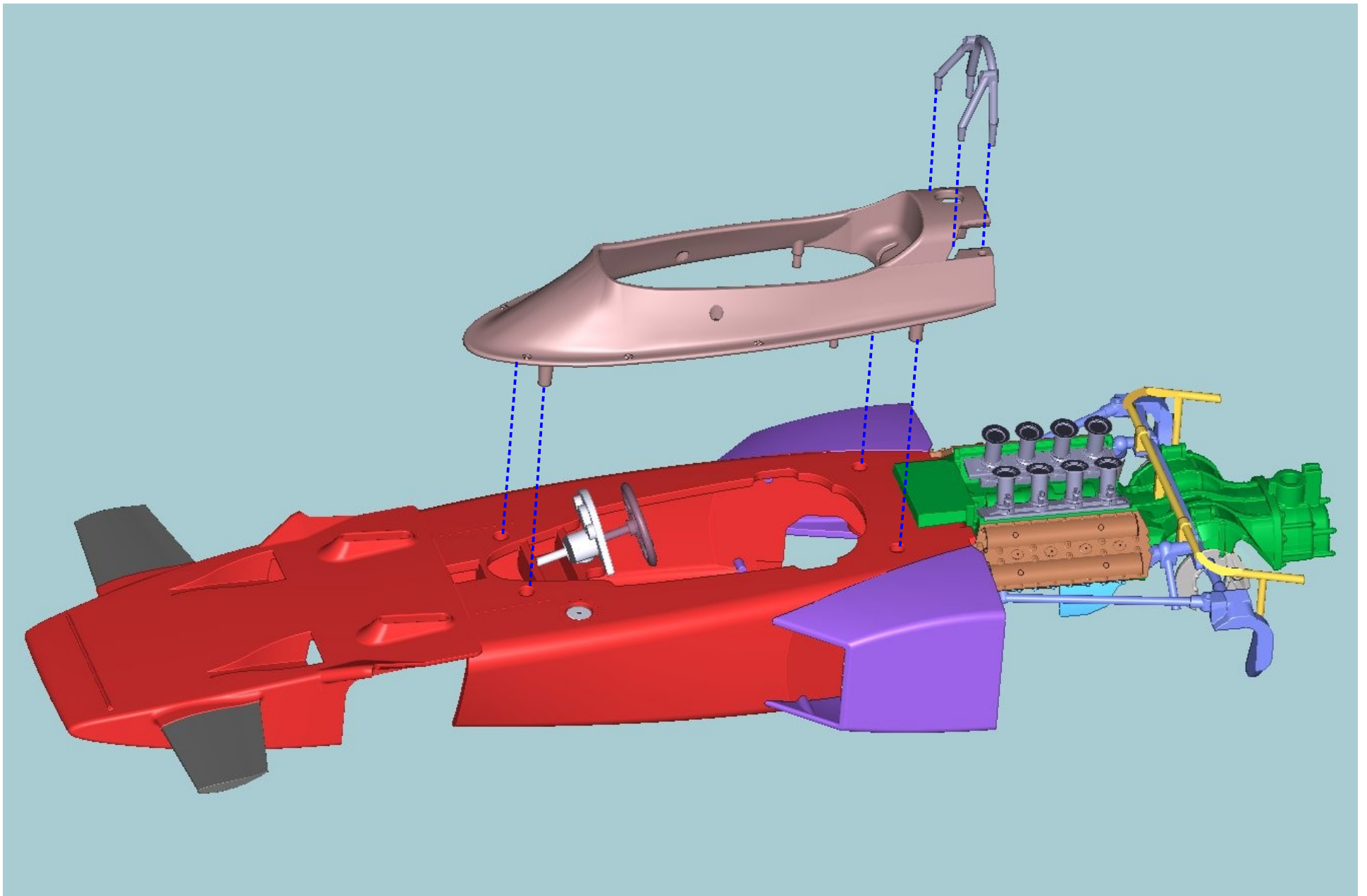












Lotus 72



