

Da Vinci Machines Series

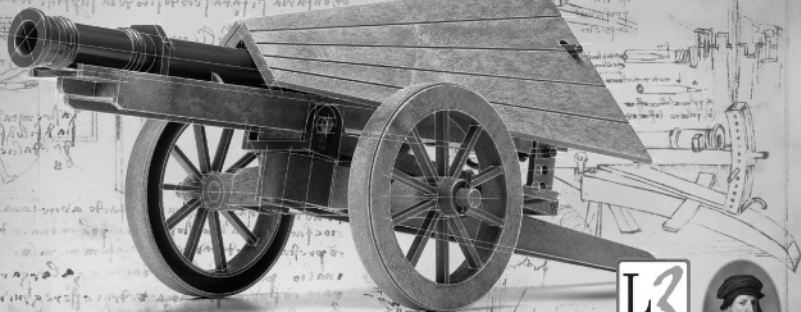
Da Vinci

Spingarde

- Reproduced retractable cannon designed by Leonardo Da Vinci
- Launcher with adjustable angle
- Actual loading and shooting possible

ACADEMY

HOBBY MODEL KITS



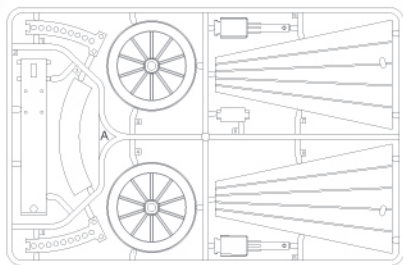
Leonardo da Vinci
(1452-1519)

● Leonardo da Vinci Spingarde

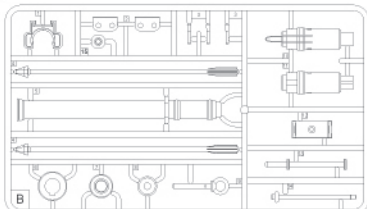
Launcher was placed on a firm wooden structure and could launch projectiles at targets over a wide range, due to its ability to move in all directions. Although heavy, efficient aiming was not difficult, making it highly functional on the battle field.

Parts Locating Diagram

A



B



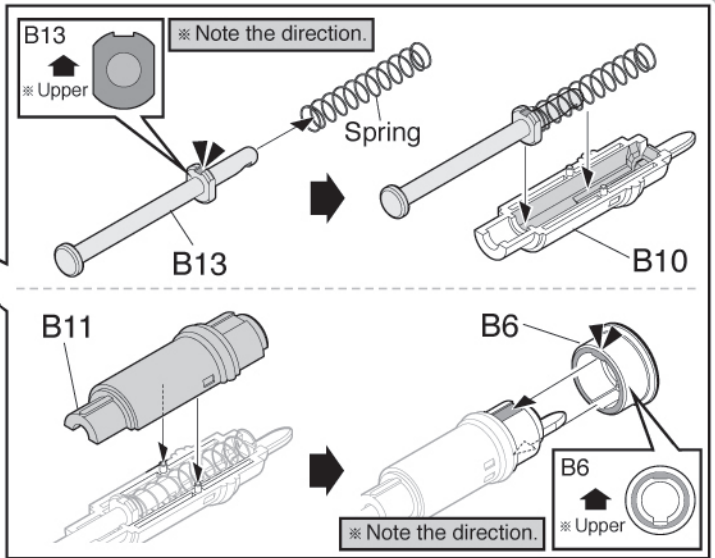
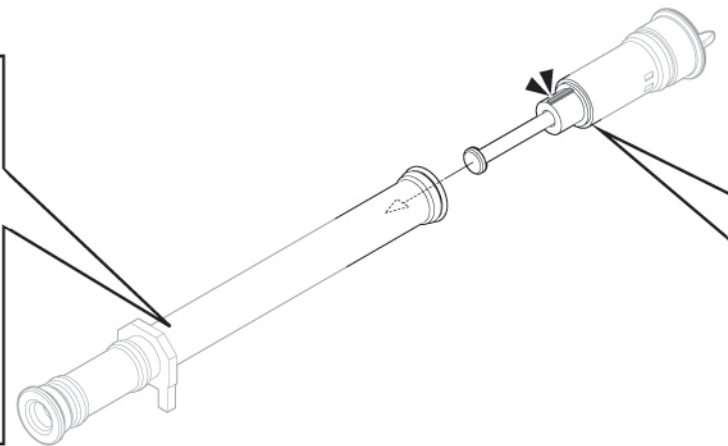
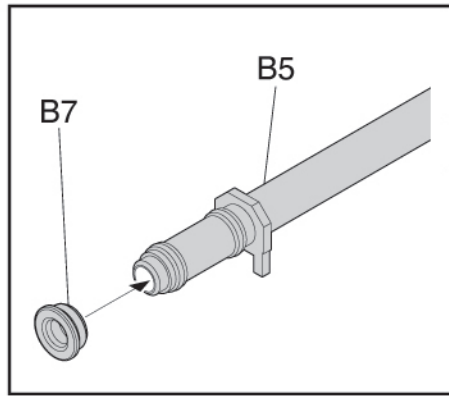
● Spare: B3X1



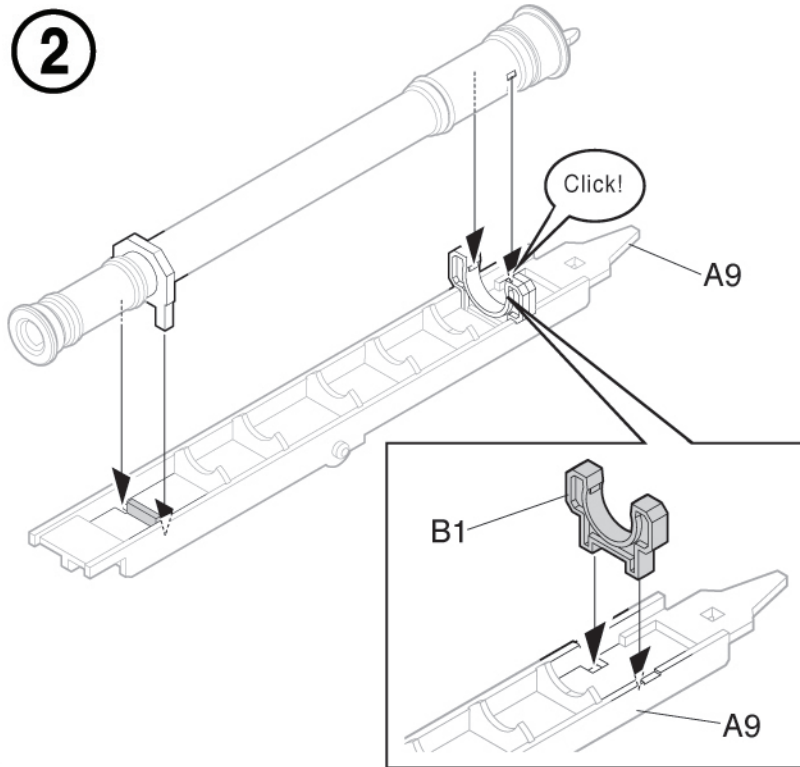
● SpringX1

18142

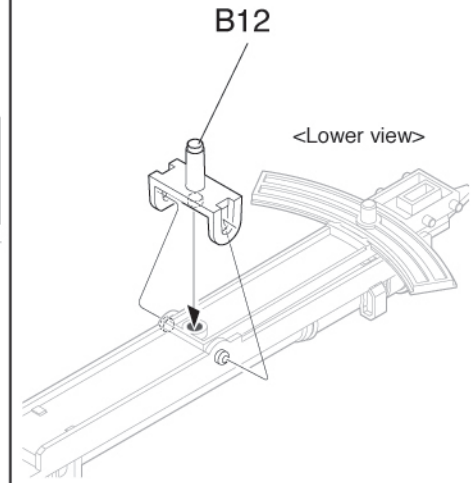
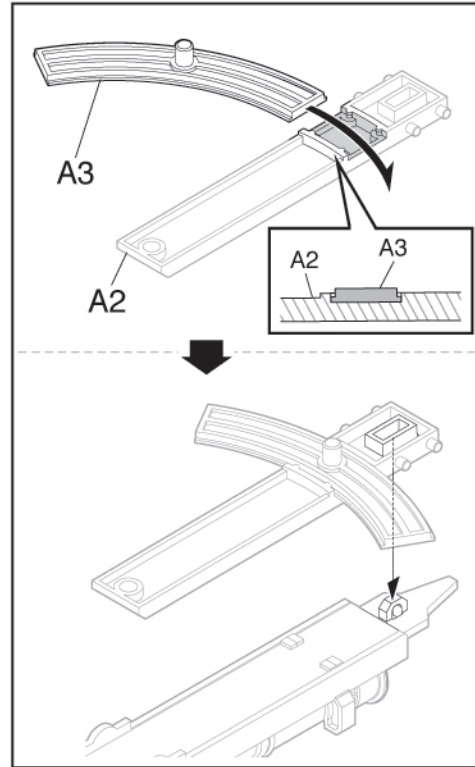
1



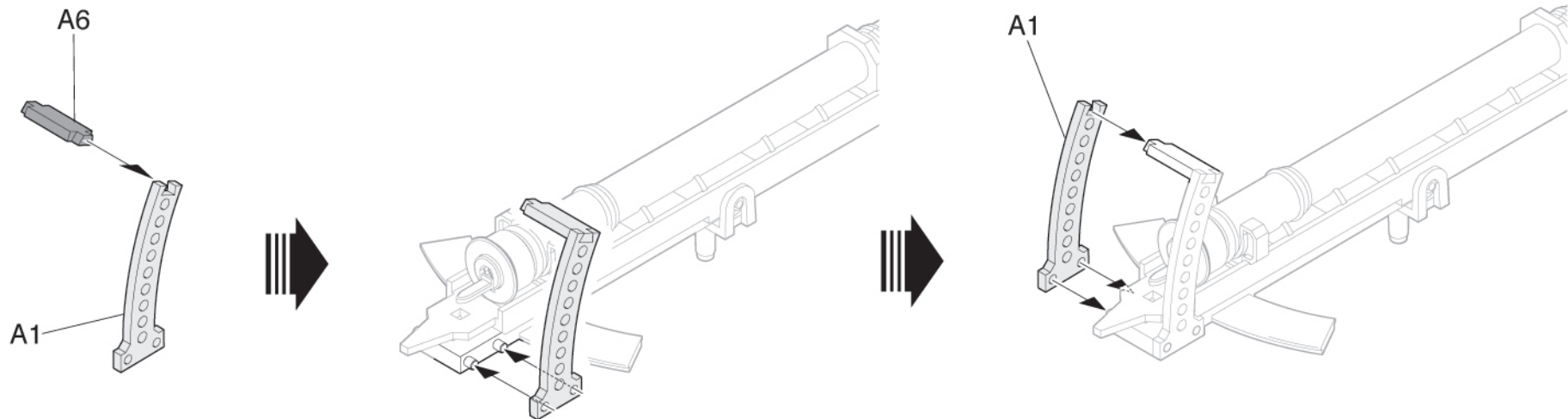
2



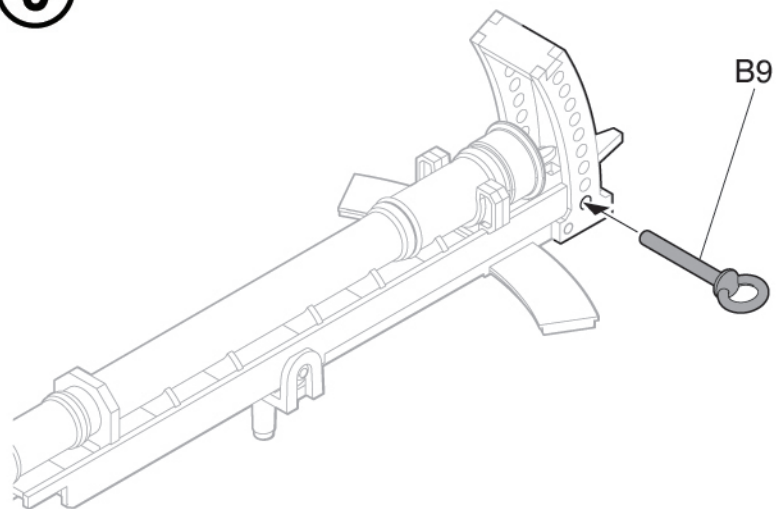
3



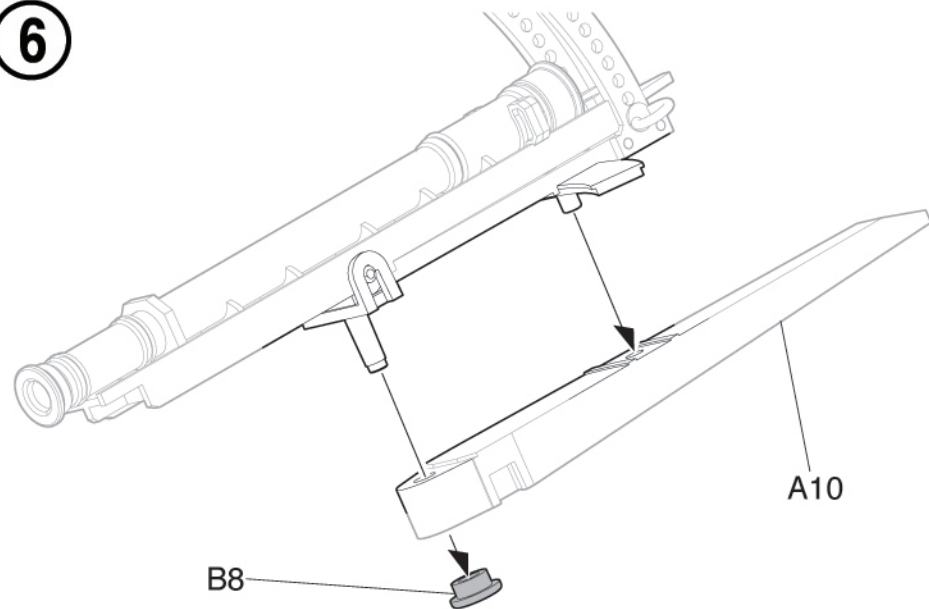
4



5

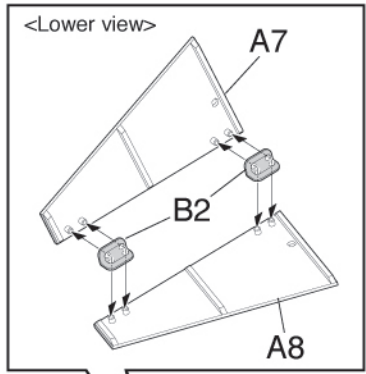
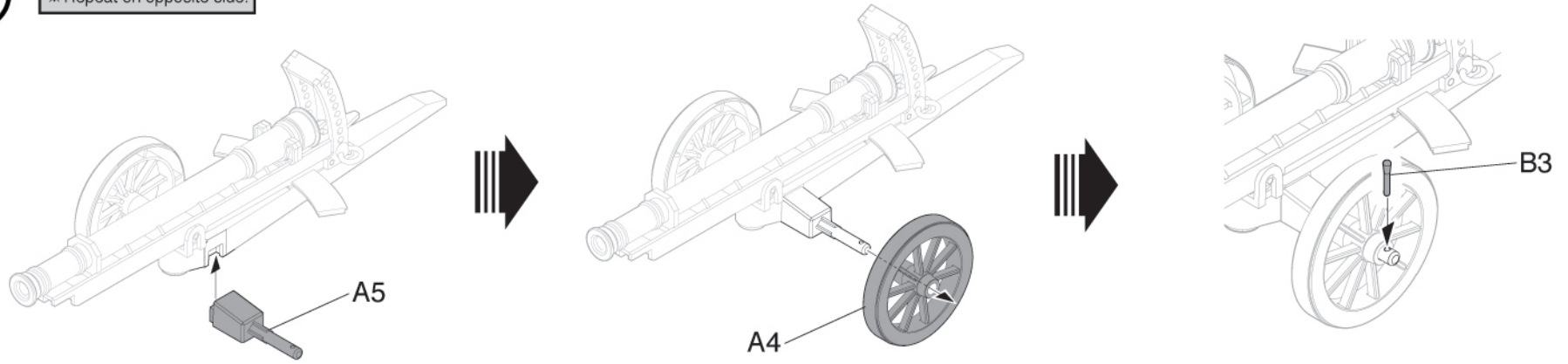


6



7

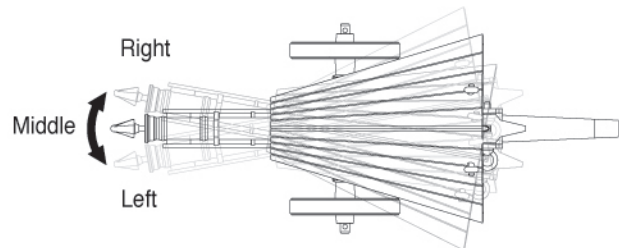
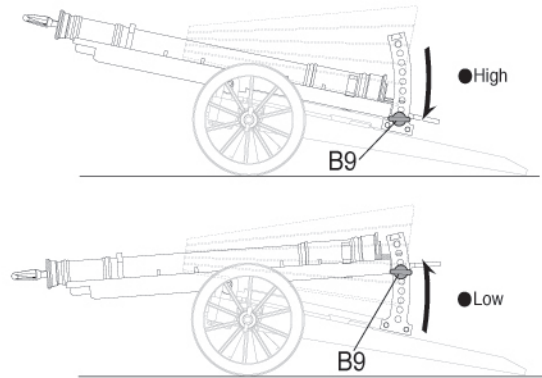
※ Repeat on opposite side.



8

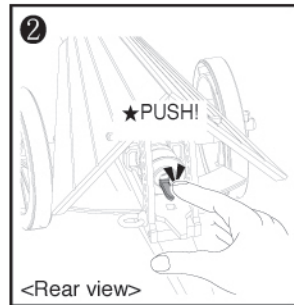
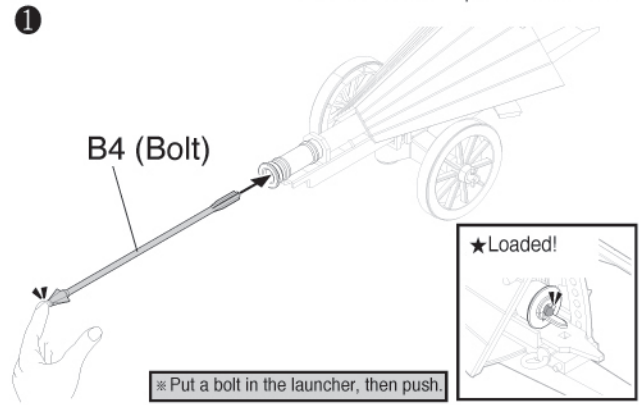
■ Choose the launcher angle

※ Adjust angle by B9 as shown.



■ How to operate

※ Follow these two steps in the order shown.





Caution For Safe Spingarde Operation

※ This kit is a reproduction of a projectile launcher that operates through the use of a compression spring.

- 1 Never launch any projectile in the direction of a person.
- 2 Do not operate near a person's face.
- 3 Do not put a projectile or any part of this kit into your mouth.
- 4 Do not alter or modify any part of the kit in an effort to increase projectile force.



■ Finished model view

